



**EUROPEAN TOUCH™**  
*The World's Finest Pedicure Spas*

# RINATO XL SPA

**INSTALLATION MANUAL**



## EUROPEAN TOUCH - LIMITED CONDITIONAL\* WARRANTY

European Touch Holdings, Inc. (“European Touch”) conditionally warrants your pedicure spa (the “Pedicure Spa”) in accordance with the terms and conditions set forth below for a period of one (1) year commencing on the original date of shipment of the Pedicure Spa to you. The warranty only applies to the Pedicure Spa’s original end-user owner or customer (the “Customer”). **This Conditional Warranty is non-transferable and replaces any warranties previously published by European Touch.**

If examination of the Pedicure Spa by European Touch during the applicable warranty period shows it to have a defect in material or workmanship, European Touch will, at its option, repair or replace the defective component or part thereof. Further, European Touch may, at its discretion, replace a defective component or part with a refurbished component or part, or may replace the Pedicure Spa with a refurbished pedicure spa. If European Touch elects to replace the Pedicure Spa, the replacement pedicure spa must be comparable in style and size to the Pedicure Spa. The Customer shall bear all charges incurred for the shipment to it of replacement components or parts, or a replacement pedicure spa, and the cost of all labor incurred in repairing defects in the Pedicure Spa or repairing or replacing any of its defective components or parts.

The foregoing limited warranty does not apply:

- to the Pedicure Spa, or any components or parts thereof, if subjected to misuse or neglect or if accidentally or intentionally damaged
- to the Pedicure Spa, or any components or part, if altered or modified in any way.
- to any expenses incurred by the Customer or any third party, including labor or material, during investigation, removal or reinstallation of the Pedicure Spa or any defective components or parts.
- to any damage to or impairment of the Pedicure Spa, or any components or parts thereof, caused by any casualty, including without limitation, accident, fire, wind, floods, acts of nature or attempted theft.
- to any workmanship of a fabricator (other than European Touch) or installer of the Pedicure Spa.
- if damage to pump parts and/or motor parts is due to obstructed plumbing.
- if the Pedicure Spa is removed from its place of initial installation.
- to staining, fading, or discoloration of any portion of the Pedicure Spa caused by water additives or improper water treatment.
- to staining, fading or discoloration of the Pedicure Spa's upholstered seat, armrests or footrests.
- to malfunctions or damage caused by improper installation of the Pedicure Spa, including, but not limited to, failure to meet local, state, or local plumbing, electrical and building codes.
- to damage resulting from a person standing in the Pedicure Spa's basin or other similar stress to that basin.
- to freight damage.
- to damage incurred to the Pedicure Spa while in possession of any party other than European Touch.

This foregoing conditional limited warranty is also conditional upon:

- the Pedicure Spa being installed by a licensed professional in accordance with European Touch's installation instructions.
- the proper use of cleaning and sanitizing solutions in accordance with the instruction labels provided by European Touch. Repeated use of concentrated chlorine or other chemicals will void this limited warranty.
- avoidance of the use of ionic detox machines that submit any metallic part to reverse electroplating; this use will destroy plated parts and void the warranty.



- shipment, if requested, to European Touch of Pedicure Spa parts or components thought to be defective. Parts or components may only be returned if authorized in advance by European Touch. All returns must be freight prepaid.
- determination by European Touch, in its reasonable discretion, that there exists a defect in material or workmanship.

Repair or replacement of any part or component under this Limited Warranty, or furnishing a replacement pedicure spa, shall not extend the duration of the warranty with respect to such repaired or replaced part beyond the stated warranty period. When a part or component is replaced, it will be under warranty for 90 days, or for the remaining life of original warranty, whichever period is greater.

Customer agrees by using the Pedicure Spa that

- **THE OBLIGATION OF EUROPEAN TOUCH SHALL NOT EXTEND TO INDIRECT OR CONSEQUENTIAL DAMAGES OR INJURY WHICH MAY RESULT FROM SUCH USE**
- that the obligations of European Touch are limited to those set forth herein
- this warranty is limited to the original owner/end-user and is non-transferable
- European Touch shall not be liable for any other obligations or liabilities, including, but not limited to: obligations or liabilities arising out of breach of contract or warranty, negligence, or other tort or any theory of strict liability with respect to the Pedicure Spa or parts or components thereof or any acts or omissions of European Touch
- Any assistance European Touch provides to the Customer outside of terms, limitations, or exclusions of this limited warranty will not constitute a waiver of any of the foregoing terms, limitations, or exclusions, nor will such assistance extend or revive the warranty.

**THIS LIMITED WARRANTY IS IN LIEU OF ALL OTHER WARRANTIES, EITHER EXPRESS OR IMPLIED, AND ALL SUCH OTHER WARRANTIES, INCLUDING WITHOUT LIMITATION, IMPLIED WARRANTIES OF MERCHANTABILITY OR FITNESS FOR A PARTICULAR PURPOSE, ARE HEREBY DISCLAIMED AND EXCLUDED FROM THIS LIMITED WARRANTY. NO DEALER OR OTHER PERSON HAS ANY AUTHORITY TO BIND EUROPEAN TOUCH TO CHANGES OR ADDITIONS TO THIS WARRANTY OR ITS PRODUCTS. ACCORDINGLY, EUROPEAN TOUCH IS NOT RESPONSIBLE FOR ANY SUCH OUTSIDE WARRANTIES OR REPRESENTATIONS.**

**IN NO EVENT SHALL EUROPEAN TOUCH BE LIABLE IN ANY WAY FOR ANY CONSEQUENTIAL, SPECIAL, OR INCIDENTAL DAMAGES OF ANY NATURE WHATSOEVER, OR FOR ANY AMOUNTS IN EXCESS OF THE SELLING PRICE OF THE PEDICURE SPA OR ANY COMPONENTS OR PARTS THEREOF FOUND TO BE DEFECTIVE. THIS LIMITED WARRANTY GIVES THE CUSTOMER SPECIFIC LEGAL RIGHTS. THE CUSTOMER MAY ALSO HAVE OTHER RIGHTS WHICH MAY VARY BY EACH JURISDICTION.**

Should your Pedicure Spa require service due to a defect or malfunction, please contact:

European Touch - Technical Support  
800.626.6912 | 414.357.7016 | f: 414.357.6360  
email: [service@europeantouch.com](mailto:service@europeantouch.com)  
website: [europeantouch.com](http://europeantouch.com)



---

## TABLE OF CONTENTS

---

EUROPEAN TOUCH - LIMITED CONDITIONAL* WARRANTY .....	2-3
INSTALLATION SPECIFICATIONS SUMMARY .....	5
LOCATION AND SUPPORT .....	5
INSTALLATION DIMENSIONS .....	6-7
IMPORTANT INSTALLATION AND UTILITY INFORMATION .....	8
ELECTRICAL SERVICE .....	8
WATER SUPPLY .....	8
ATTACHING THE SEAT BACK CUSHION .....	9
SEAT BACK ATTACHMENT .....	9
INSTALLING THE FLOOR MOUNTING BRACKETS .....	10
INSTALLING AND REMOVING THE SHELLS .....	11
GROUNDING INSTRUCTIONS .....	12
DANGER .....	12
HISTORY AND NOTES .....	13-15
TECHNICAL SUPPORT .....	16

## INSTALLATION SPECIFICATIONS SUMMARY

Note: Failure to comply with federal, state or local codes and ordinances will result in warranty being null and void.

This pedicure spa installation must comply with all applicable plumbing and electrical codes. A licensed plumber and licensed electrician must make the utility connections to this spa.

**WARNING: Front plate and side covers MUST be removed prior to moving and installing the Rinato XL Spa.**



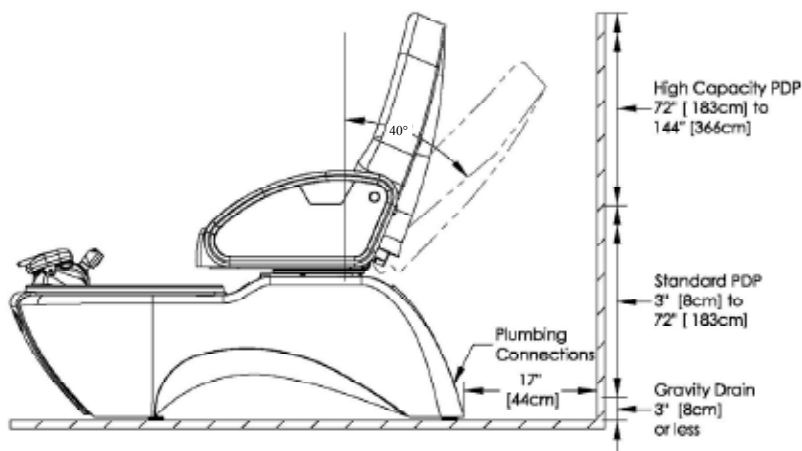
Spa shipping configuration removal.



Appearance when set into place.

## LOCATION AND SUPPORT

Select a level floor location for installation. The floor structure beneath the pedicure spa must be capable of supporting the occupied unit (up to 545lbs; the spa itself weighs 195 lbs and can support clients up to 350 lbs.) For the seat back to fully recline, the spa base must be installed at least 17 inches from the wall as shown below:

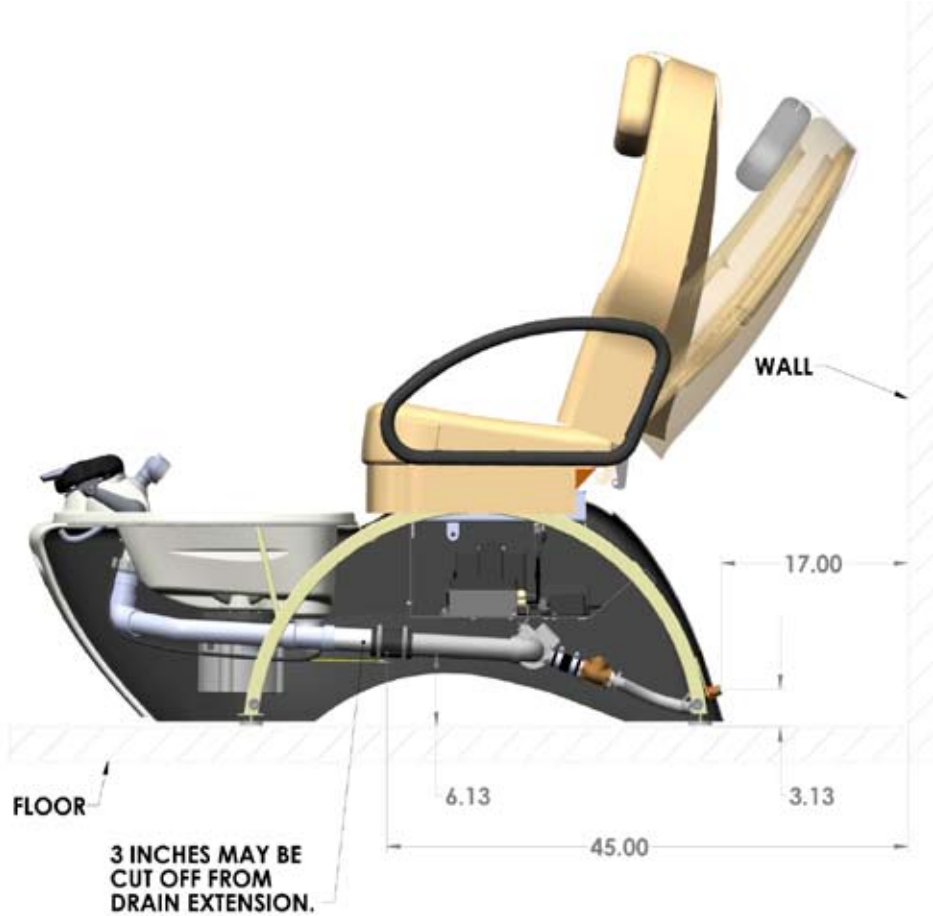




**EUROPEAN TOUCH™**

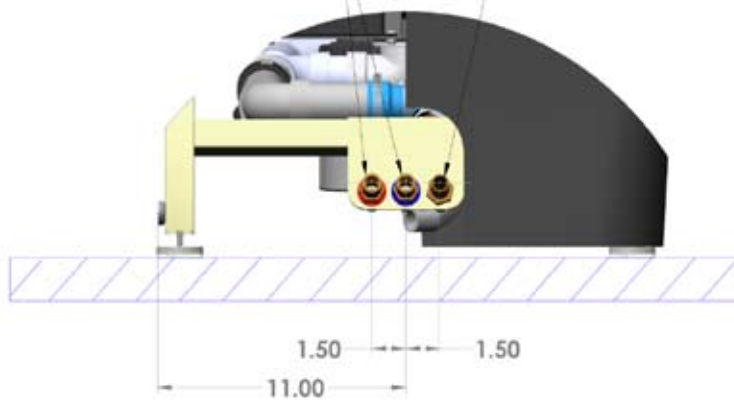
*The World's Finest Pedicure Spas*

## INSTALLATION DIMENSIONS



HOT AND COLD WATER SUPPLY FITTINGS ARE 1/2" MHT (MALE)

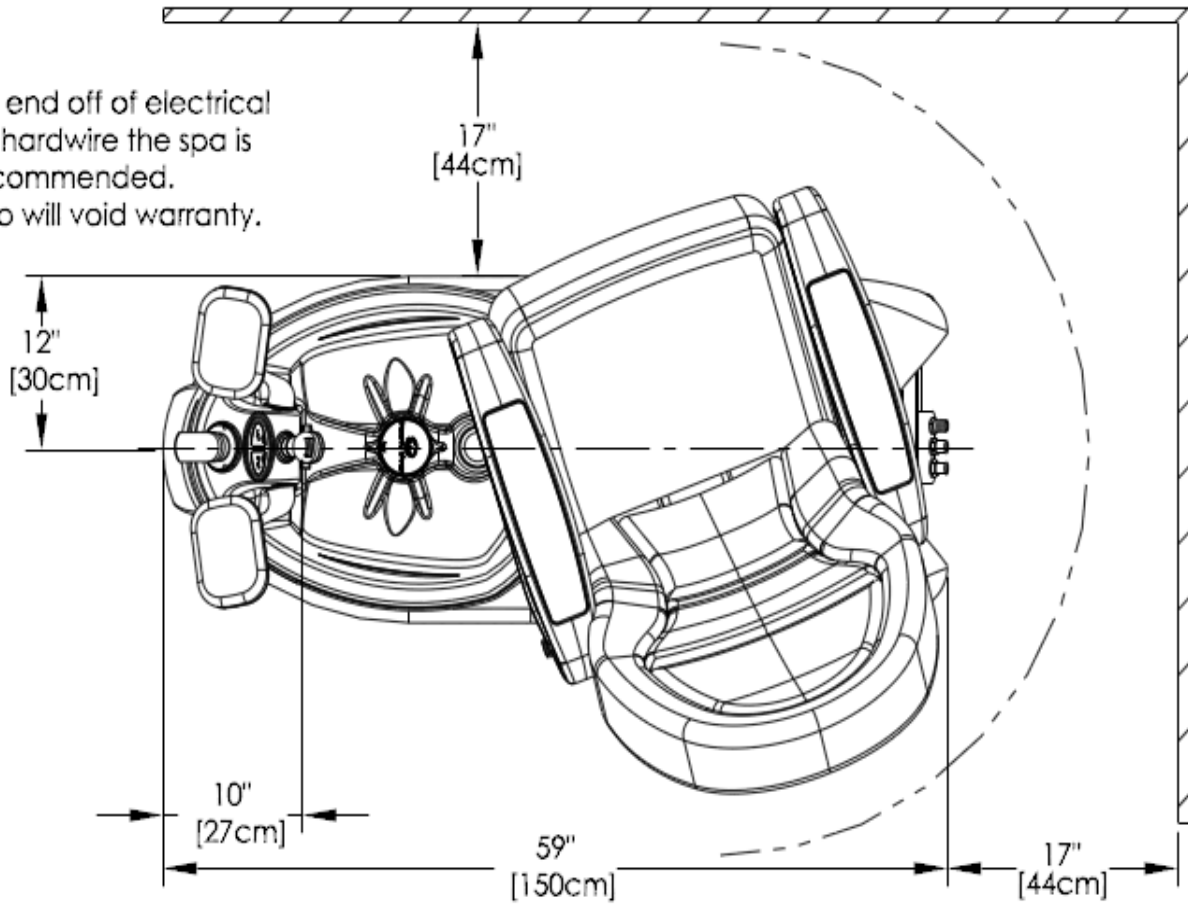
POWER DRAIN PUMP DRAIN LINE IS 3/4" SLIP-ON HOSE BARB





**EUROPEAN TOUCH™**  
*The World's Finest Pedicure Spas*

NOTE:  
Cutting end off of electrical  
plug to hardwire the spa is  
NOT recommended.  
Doing so will void warranty.



## IMPORTANT INSTALLATION AND UTILITY INFORMATION

### Electrical Service:

**110V:** 110V, 60 Hz, 2.75 Amp GFCI protected grounded circuit must be used to supply power to the pedicure spa. (220V if ordered in 220V configuration)

**220V:** 220V, 50/60 Hz, 2.75 Amp GFCI protected grounded circuit must be used to supply power to the pedicure spa.

### Water Supply:

- All plumbing connections must conform to local codes.
- Water pressure must be 30 to 80 PSI for the sprayer to operate correctly.
- Maximum operating water temperature should not exceed 105° F (41° C) and the maximum supply water temperature should not exceed 150°F (65° C). (In Massachusetts, the maximum supply water temperature should not exceed 130° F (54° C)). Adjust the hot water heater accordingly.
- For hot and cold water supply fittings and power drain fittings location, see figure 1 below.
- Carefully connect the incoming water supply lines to the appropriate fittings located on the back of the pedicure spa. Shut-off valves are recommended.

The pedicure spa drain must meet local plumbing codes.

Pedicure Spa must be installed by a licensed plumber.

---

**\*\*Note: See local and state codes as to what type of drain connection is required to be made.**

---



---

**Hot & Cold supply fittings contain Neoperl® DW15GF check valves.**

---



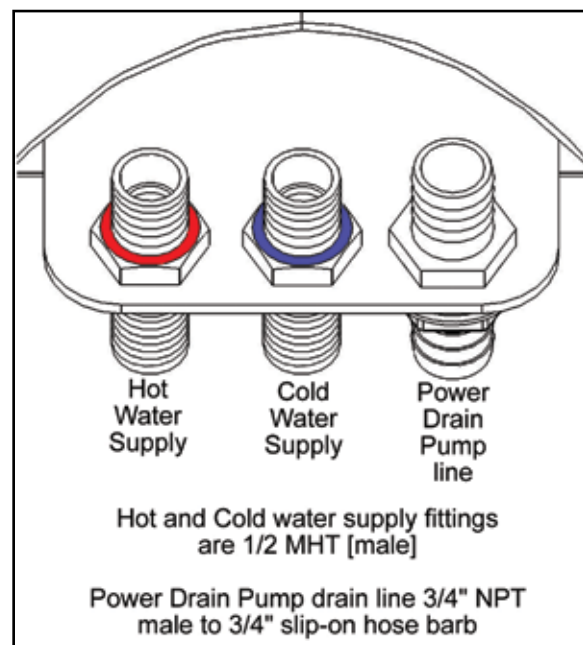
---

**The drain line must be a minimum of 3/4" inside diameter from Spa to wall connection for basin to drain properly.**

---

Note: Not using the supplied bulkhead fittings will result in NO backflow protection. Check your Local & State plumbing codes for additional backflow requirements. Any additional requirements are the responsibility of the owner of the unit.

Backflow Protection Devices for Faucets with Side Spray: Check valves comply with ANSI/ASME A112.18.3M, A112.18.1M, and CSA B12.



## ATTACHING THE SEAT BACK CUSHION

Make sure all parts are removed from box before discarding. If any parts are missing, contact EUROPEAN TOUCH within 30 days of delivery date for replacement at 1-800-626-6912. The Rinato XL Spa ships with its bottom cushion already installed. Note: 2 people are required to perform the following instructions.

### Seat Back Attachment

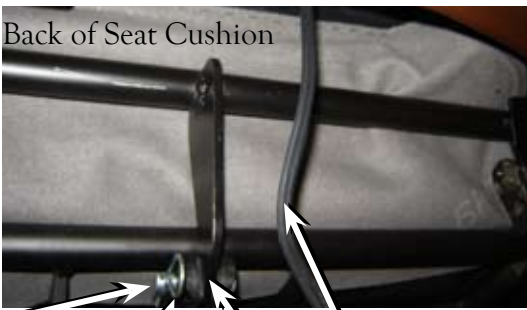


1. Place Cushion in place in front of frame bracket and align holes of the cushion frame and the seat frame.



2. Screw the Shoulder Bolts (2) into the side of the frame into the frame of the seat until tight. Do not over-tighten.

Shoulder Screws



3. Install the Clevis Pin through the hole in the Actuator Motor Arm and Clip as shown at left.

Back of Seat Cushion  
Cushion Cord  
Actuator & Clip  
Clevis Pin  
Hitch Pin



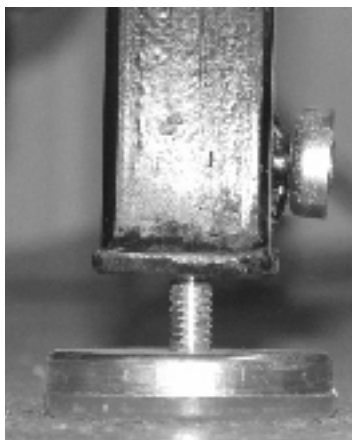
Hitch Pin

Clevis Pin

4. Ensure that Remote Cords are not pinched between cushion and frame bracket. Ensure the Hitch Pin does not hit nut when chair is rotated.

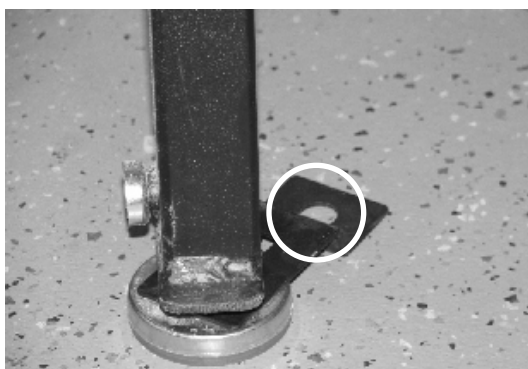
## INSTALLING THE FLOOR MOUNTING BRACKETS

All Rinato XL Spas installed with gravity drain and / or hard piped to hot and cold supply lines **MUST** be anchored to the floor.

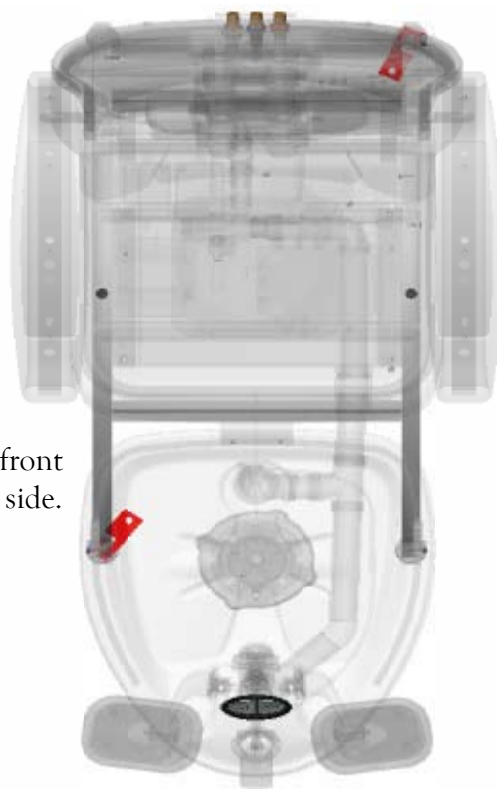


1. Adjust all 4 leveling feet until unit is stable and level.

2. Place the floor mounting brackets on one of the front feet and on the rear foot of the opposite side.



3. Mark and drill hole in floor for each bracket and install 3/8" floor anchor in each hole.



***Note: Moving spa with flexible hose connected may cause strain and cause leaks.***

**INSTALLING AND REMOVING THE SHELLS**

*To install the shells on your spa follow the instructions below:*



1. Slightly lift side panel into place on spa frame.

2. Align the magnets on the frame legs with matching brackets found on the inside of the side panel. There is one set on each leg.



3. The side panel should fit under lip of basin as shown.



4. Align the thumbscrew holes located under cushion and tighten thumbscrew on each side.



5. Install the front plate by aligning pegs to matching holes and pressing into place.

## GROUNDING INSTRUCTIONS

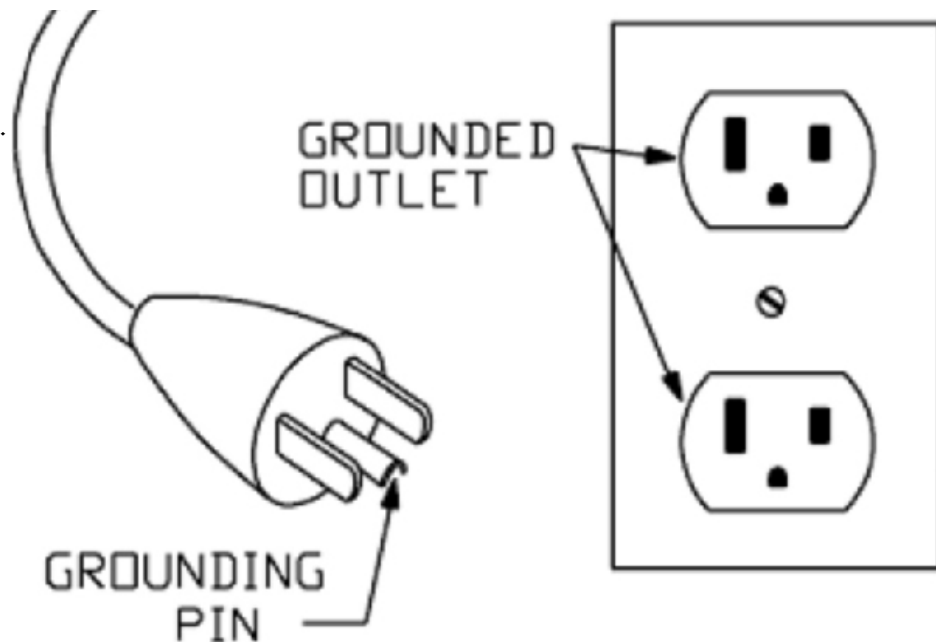
**WARNING** – When using electrical products, basic precautions should always be followed, including the following:

- **DANGER: RISK OF ELECTRIC SHOCK.** Connect only to a circuit protected by a ground-fault circuit interrupter.
- Grounding is required. The unit should be installed by a qualified service representative and grounded.
- This product must be grounded. If it should malfunction or break down, grounding provides a path of least resistance for electric current to reduce the risk of electric shock. This product is equipped with a cord having an equipment-grounding conductor and a grounding plug. The plug must be plugged into an appropriate outlet that is properly installed and grounded in accordance with all local codes and ordinances.

## DANGER

Improper connection of the equipment-grounding conductor can result in a risk of electric shock. Check with a qualified electrician or serviceman if you are in doubt as to whether the product is properly grounded. Do not modify the plug provided with the product – if it will not fit the outlet, have a proper outlet installed by a qualified electrician.

This product is for use on a nominal 120-V circuit and has a grounding plug that looks like the plug illustrated in the sketch at right. Make sure that the product is connected to an outlet having the same configuration as the plug. No adapter should be used with this product.





**EUROPEAN TOUCH™**

*The World's Finest Pedicure Spas*

---

## HISTORY AND NOTES

---



**EUROPEAN TOUCH™**  
*The World's Finest Pedicure Spas*

---

## HISTORY AND NOTES

---



**EUROPEAN TOUCH™**

*The World's Finest Pedicure Spas*

---

## HISTORY AND NOTES

---



---

## TECHNICAL SUPPORT

---

Thank you for purchasing European Touch pedicure spas!

With a staff of fully trained technical support representatives, we are able to answer specific questions about the mechanics of our pedicure spas before, during and after the installation process and throughout the lifetime of the product.

Our multi-lingual staff is available Monday through Friday 8:00am to 6:30pm Central Time. Please call 800.626.6912 with any questions.

European Touch  
8301 W. Parkland Court  
Milwaukee, WI 53223

t: 800.626.6912 | 414.357.7016 | f: 414.357.6360  
e: [service@europeantouch.com](mailto:service@europeantouch.com) | w: [europeantouch.com](http://europeantouch.com)