

RINATO SPA™ SERVICE MANUAL



EUROPEAN TOUCH®
The World's Finest Pedicure Spas



EUROPEAN TOUCH™

TABLE OF CONTENTS

IMPORTANT SAFETY INSTRUCTIONS	3
DANGER	3
WARNINGS	3
IMPORTANT REQUIREMENTS	4
SPECIFICATIONS SUMMARY	4
LOCATION AND SUPPORT	4
LOCATION DIMENSIONS	5
ATTACHING THE SEAT BACK AND SEAT BOTTOM CUSHION	6
SEAT BACK ATTACHMENT	6
SEAT MOVEMENT ATTACHMENT	6
SEAT BOTTOM ATTACHMENT	6
REMOVING THE SHELLS	7
INSTALLING THE FLOOR MOUNTING BRACKETS	7
REMOVING AND REPLACING DRAIN KNOB	7
REMOVING AND REPLACING IMPELLER	8
WIRED SOUND OPTION	8
REPLACEMENT PARTS	9
FULL ASSEMBLY	9
FULL ASSEMBLY	10
Basin Assembly	11
POWER DRAIN PUMP ASSEMBLY	12
INLET COVER & RELATED PARTS	12
MOTOR ASSEMBLY	13
SEAT MOVEMENT	13
DRAIN ASSEMBLY	14
HIGH CAPACITY PUMP ASSEMBLY	14
GENERAL TROUBLE SHOOTING GUIDE	15



EUROPEAN TOUCH™

IMPORTANT SAFETY INSTRUCTIONS

When using an electrical appliance, basic precautions should always be followed, including the following:

Read all instructions before using this appliance.

WARNING – To reduce the risk of burns, fire, electric shock, or injury to persons:

- 1) Use this appliance only for its intended use as described in this manual. Do not use attachments not recommended by the manufacturer.
- 2) Never operate this appliance if it has a damaged cord or plug, if it is not working properly, if it has been dropped or damaged, or dropped into water.
- 3) Never drop or insert any object into any opening.
- 4) Do not use outdoors.
- 5) Do not operate where aerosol (spray) products are being used or where oxygen is being administered.

Save These Instructions

DANGER

- 1) Never use pins or other metallic fasteners with this appliance.
- 2) Carefully examine the covering before each use.
- 3) Discard the appliance if the covering shows any sign of deterioration, such as checking, blistering, or cracking.
- 4) Keep electrical components dry – Do not operate in a wet or moist Environment.

WARNINGS

- 1) Excessive water temperature is dangerous and should be checked before use. Maximum operating water temperature should not exceed 105° F (41° C) and the maximum supply water temperature should not exceed 150° F (65° C).
- 2) The spa has a heated surface in the seat bottom. Persons sensitive to heat must be careful when using the spa.
- 3) Always enter and exit the pedicure spa slowly and carefully.
- 4) Never bring or operate any electrical devices into or near the pedicure spa.
- 5) This pedicure spa has a weight capacity of 350 pounds.
- 6) Do Not Crush – Avoid sharp folds.
- 7) Do not stand on or in appliance.
- 8) Use only while seated.
- 9) Keep children away from extended foot support.
- 10) Connect this appliance to a properly grounded outlet only. See Grounding Instructions within the install manual.

Note: Always verify maximum temperatures with your local & state codes.

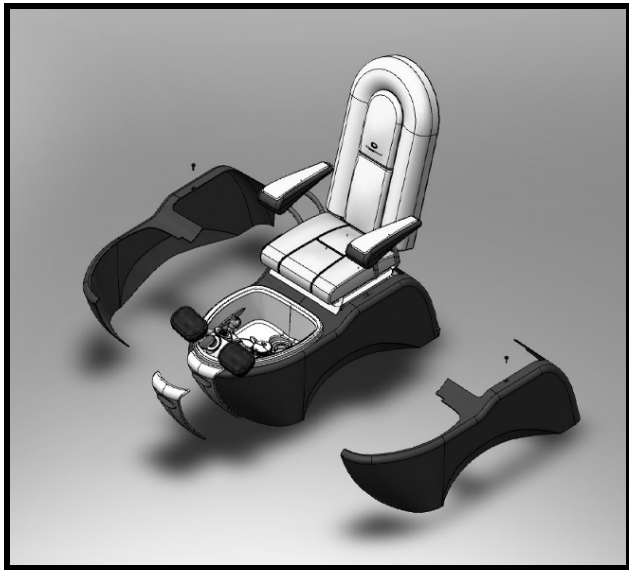
IMPORTANT REQUIREMENTS

EUROPEAN TOUCH requires that you contact your local, licensed plumber and licensed electrician to install your new pedicure spa. Installation must be in compliance with all your local and state building codes. Your pedicure spa cannot operate efficiently or safely unless it is provided with adequate electrical power, sufficient water pressure, proper water temperature, and required drainage capabilities. Contact your local building inspector for information and local code compliance procedures that need to be followed when having your pedicure spa installed. Subsequent inspections and approvals that may be required are the responsibility of the purchaser. **(See limited warranty regarding incidental or consequential exclusions – page 2).**

SPECIFICATIONS SUMMARY

Note: Failure to comply with federal, state or local codes and ordinances will result in warranty being null and void.

WARNING: Shells & front plate **MUST** be removed prior to moving the Rinato Spa.



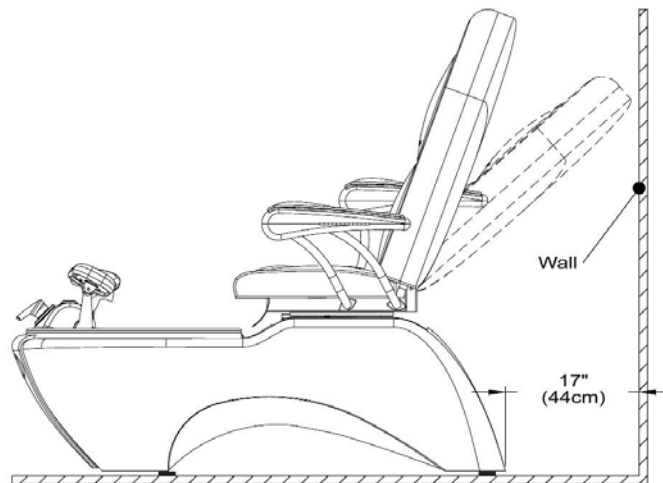
Spa shipping configuration removal



Spa appearance prior to moving into place

LOCATION AND SUPPORT

Select a level location. The floor structure beneath the pedicure spa must be capable of supporting the occupied pedicure spa. For the seat back to fully recline, the pedicure spa base must be mounted 17 inches from the wall as shown below:





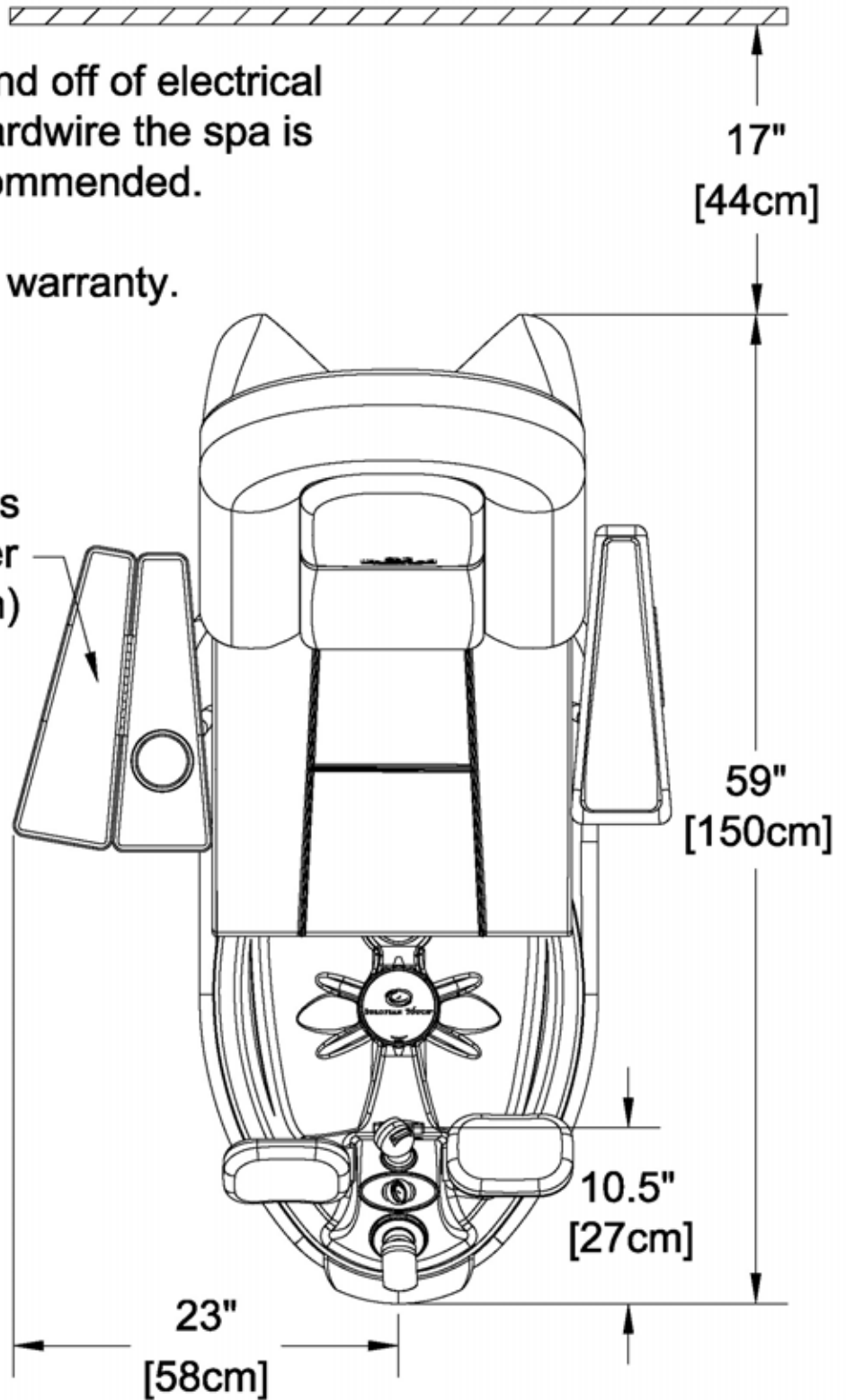
EUROPEAN TOUCH™

LOCATION DIMENSIONS

NOTE: Cutting end off of electrical plug to hardwire the spa is **NOT** recommended.

Doing so will void warranty.

Flip-open armrests with cupholder (open position)

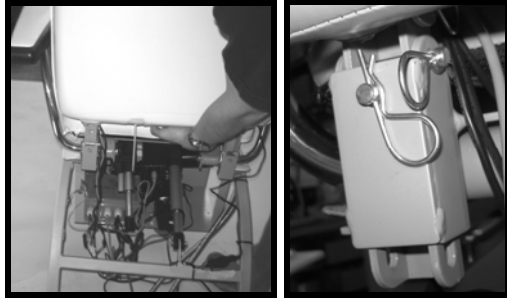


ATTACHING THE SEAT BACK AND SEAT BOTTOM CUSHION

Please make sure that all parts are removed from the box before discarding the box. If any parts are missing, you must contact EUROPEAN TOUCH within 30 days of the delivery date for replacement at 800-626-6912.

Your pedicure spa shipped with the seat back already attached to the spa and with the seat bottom cushion in the spa shipping box. Follow these instructions to connect the seat back and the seat bottom to the pedicure spa:

Note: 2 people are required to perform the following instructions.



Step 1

Steps 2 & 3

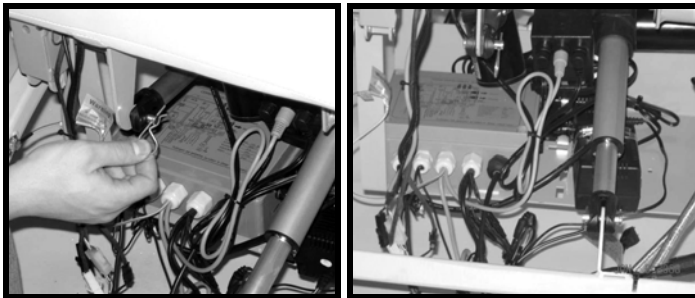
SEAT BACK ATTACHMENT

1. Lift seat back vertically and lower hinge brackets into position.
2. Align seat back bracket hole for pin insertion.
3. Insert clevis pin from front and push through aligned holes. Push hitch pin into the clevis pin as shown.

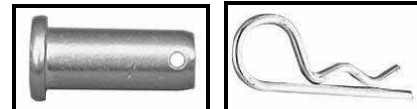
Note: Repeat steps two and three for other side.

SEAT MOVEMENT ATTACHMENT

1. Remove the linear drive hitch and clevis pins located on the seat back mounting bracket on the back of the chair.
2. Slide the seat bracket, insert attached, into the black end on the linear actuator and line up the holes. Slide the clevis pin through the holes and secure by inserting the hitch pin through the small hole on the clevis pin.



Step 1 & 2



Clevis Pin

Hitch Pin

SEAT BOTTOM ATTACHMENT

1. The seat bottom cushion will be located in the spa on top of the spa basin. Remove the seat bottom cushion from the spa basin.
2. With the chair fully reclined, attach the seat bottom cushion to the spa, aligning the seat bottom cushion with the provided Velcro strips. Ensure that the rear of the seat bottom cushion is tight against the seat back.
3. Move seat forward and attach bottom cushion heater connectors as shown.

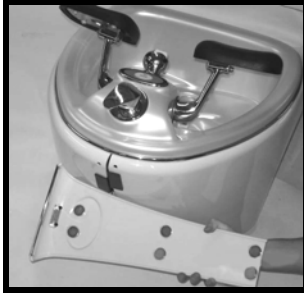


Step 2

Step 3

REMOVING THE SHELLS

To install the shells on your spa follow the instructions below:



Step 1

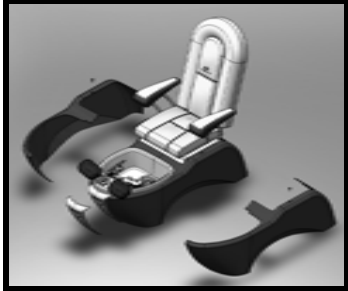


Step 2

1. Remove the front plate from the front of the spa.
2. Remove each thumb screw (total 2)
3. Slightly lift side panels (total 2) off of the spa to remove.



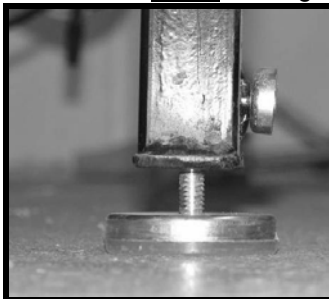
Step 3



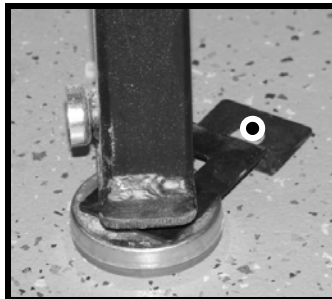
INSTALLING THE FLOOR MOUNTING BRACKETS

All Rinato Spas installed with gravity drain and / or hard piped to hot and cold supply lines **MUST** be anchored to the floor.

Note: Moving spa with flexible hose connected may cause strain and cause leaks.



Step 1



Steps 2 & 3

1. Adjust the leveling feet until you have at least a ¼" gap between the frame and leveling foot.
2. Place the floor mounting brackets on to leveling feet diagonally from each other (2 brackets provided).
3. Mark spots to be drilled. (*noted by dot in image*) Bracket has ½" hole. If mounting to floor, use (2) 3/8" floor lag bolts with washer (not provided).

REMOVING AND REPLACING DRAIN KNOB

Check your state and local regulations for cleaning procedures. Links to your state boards can be found on our web site, at www.europeantouch.com. Refer to the Owner's Manual for "Clean Touch™ Pipe-Free® Spa - Cleaning and Disinfecting Procedures," for cleaning recommendations.



To remove the chrome drain handle, loosen the set screw in the slot on the drain handle and slip off chrome handle from chrome handle post.



Drain handle removed



Drain plunger removed

REMOVING AND REPLACING IMPELLER

Check your state and local regulations for cleaning procedures. Links to your state boards can be found on our web site, at www.europeantouch.com. Refer to the Owner's Manual "Clean Touch™ Pipe-Free® Spa - Cleaning and Disinfecting Procedures," for cleaning recommendations.



1. Remove the Clean Touch Assembly by turning it clockwise.



2. Remove Clean Touch inlet cover from housing by twisting counter-clockwise.



3. Remove the impeller by lifting from the basin.
4. Once the parts are clean, complete steps one through three in reverse order.

WIRED SOUND OPTION

1/8" (3.5mm) Phone Jack.

Plug in Headphones or Portable Speakers.

1/8" (3.5mm) Phone Plug Cable.

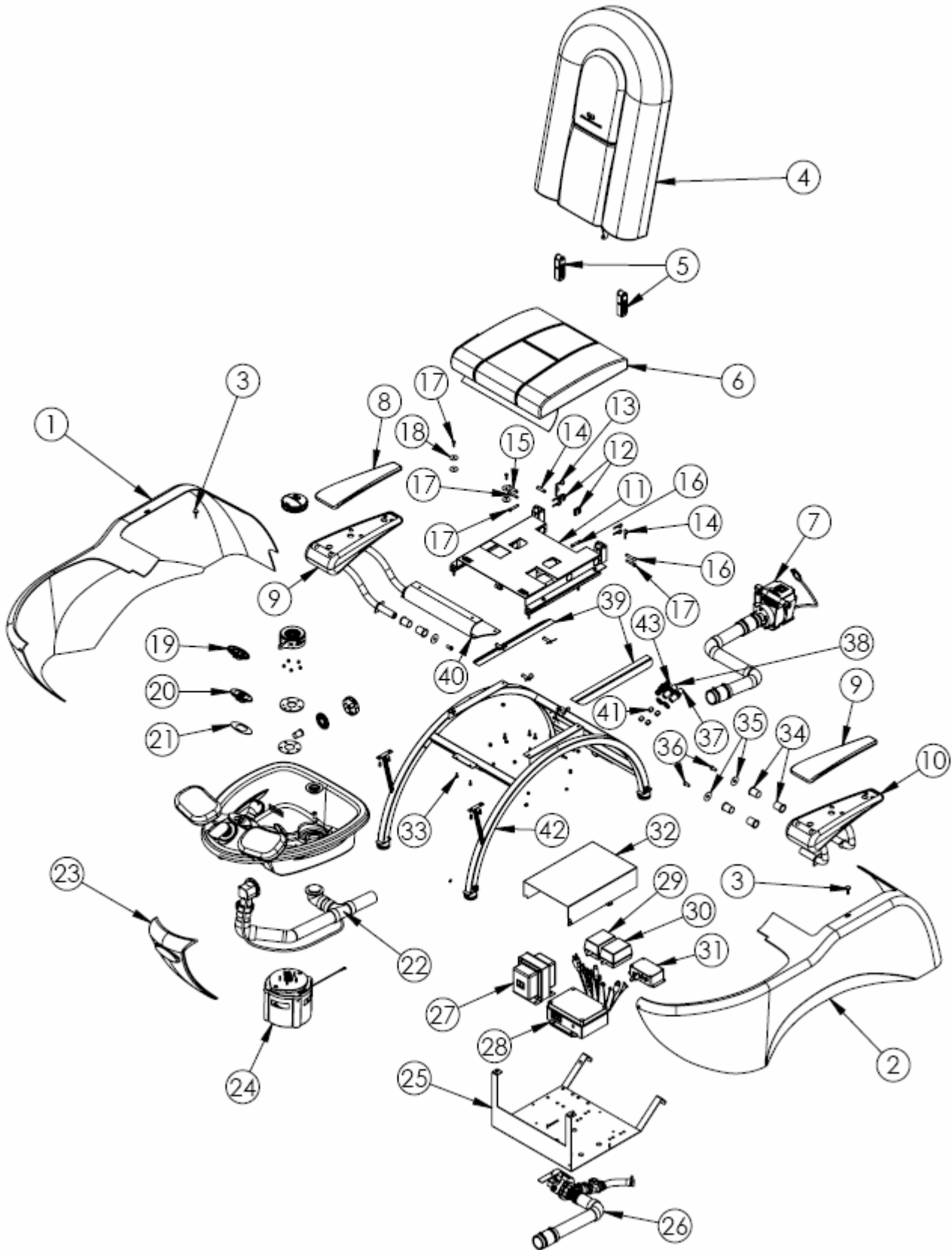
Plug into any MP3 Player or IPOD that has a 1/8" (3.5mm) Phone Jack.

Stowe away the end of the phone plug cable in the Massage Remote Pocket when not in use.



REPLACEMENT PARTS

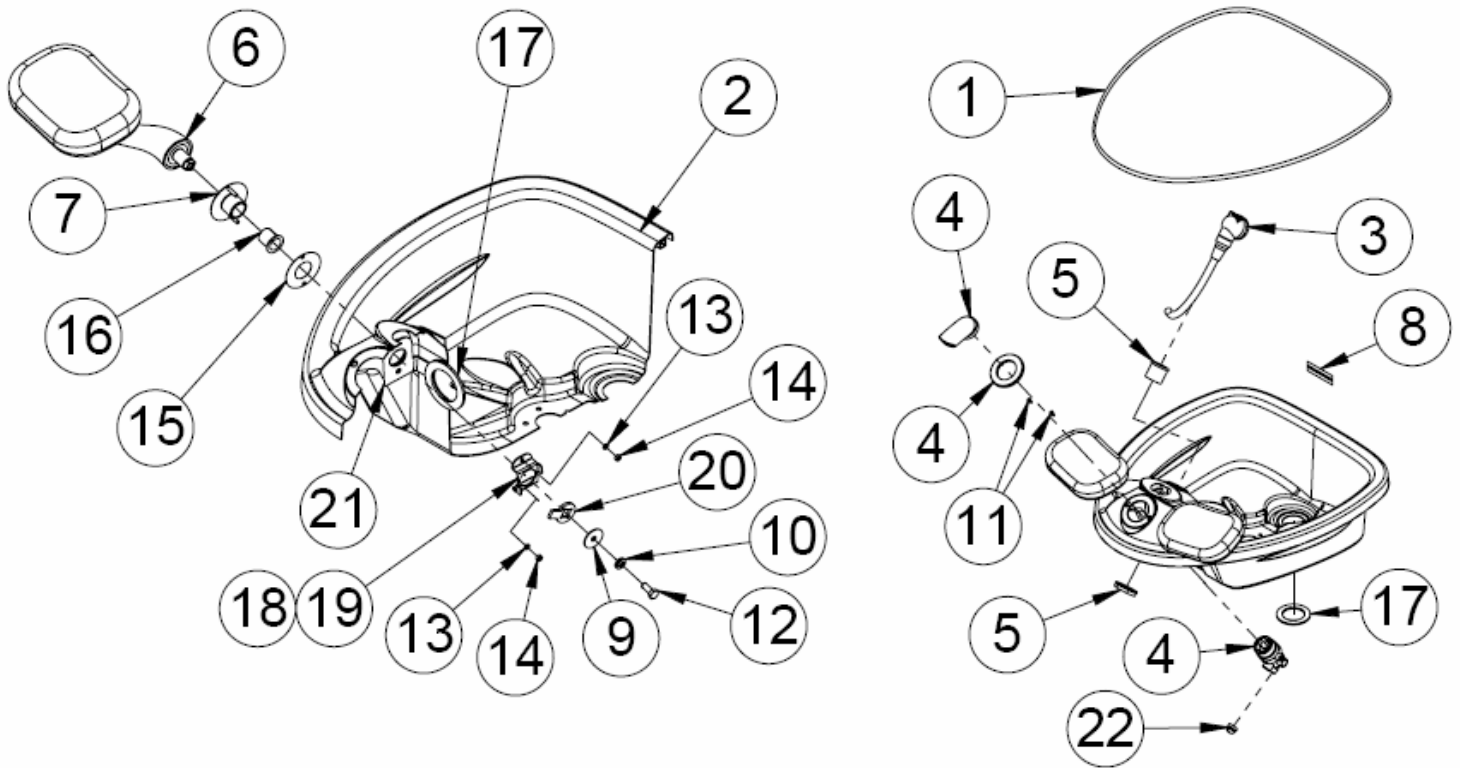
FULL ASSEMBLY



FULL ASSEMBLY

Item No.	Part No.	Description	Qty.
1	3001310X (3-6)	Panel Body RIGHT Rinato (Black, White, Almond, or Gray)	1
2	3001320X (3-6)	Panel Body LEFT Rinato (Black, White, Almond, or Gray)	1
3	15130009	Screw Thumb 1/4-20 X 3/4	2
4	3015130X(0-3)	Cushion Seat Back Rinato Asm (Black, Burgundy, Almond, Cashmere)	1
5	25022012	Bracket Seat Back Slide	2
6	3015031X (0-3)	Cushion Seat Bottom Asm (Black, Burgundy, Almond, Cashmere)	1
7	30152009	Subasm PDP High Capacity Rinato CT	1
8	2500201X (0-3)	Cushion Armrest Platino (Black, Burgundy, Almond, Cashmere)	2
9	25152101	Subasm Armrest RIGHT w/Magnets	1
10	25152100	Subasm Armrest LEFT w/Magnets	1
11	25152013	Subasm Seat Track Platino II	1
12	25022009	Clip Actuator Platino II	2
13	06130009	Hitch Pin	8
14	06130008	Clevis Pin 1-1/2IN X 3/8IN DIA	2
15	25132041	Clevis Pin 1-3/4 X 3/8 DIA	2
16	25132001	Clevis Pin 1-3/4 X 5/16 DIA	4
17	12130041	Bolt 1/4-20 X 3/4 HEX CAP GR5 ZN	4
18	03130012	Washer Air Bleed Fender	4
19	30042000	Two Button Switch CT	1
20	30042001	One Button Switch CT	1
21	30010221	Gasket Button Switch	1
22	30151202	Drain Kit Hard Plumb Assy	1
23	2501230X (1&3)	Plate Front Platino II (Platinum or Pearle)	1
24	30152015	Subasm Hanning Motor Next Gen	1
25	30020100	Belly Pan	1
26	30152004	PDP Assembly	1
27	06040220	Transformer Step Down	1
28	30040400	Control Box	1
29	15040013	Transformer Vibration Massage Platino 12V Output	1
30	15040003	Transformer Roller Massage Platino 21V Output	1
31	14040422	Control Box Drain Pump Pipefree SCS	1
32	30020102	Cover Splash	1
33	15130027	Screw 1/4-20 X 1/2 Socket Head Cap	6
34	15020017	Bearing Plain Armrest	8
35	12020274	Washer 3/8 X 1-1/2 OD	4
36	15130013	Bolt 3/8-16 x 1 Hex Cap	4
37	15130000	Bulkhead Fitting for Check Valve	2
38	0613008X(7-8)	Washer SCS 7/8 Nylon RED or BLUE	1
39	1500005X(0-3)	Skirt Side Seat Cushion (Black, Burgundy, Almond, Cashmere)	2
40	30010300	Shroud Flexible Seat to Frame	1
41	15130016	Check Valve	4
42	30022100	Frame Base NG	1
43	25132013	Bulkhead Fitting 3/4IN Thread 3/4 Barb	1

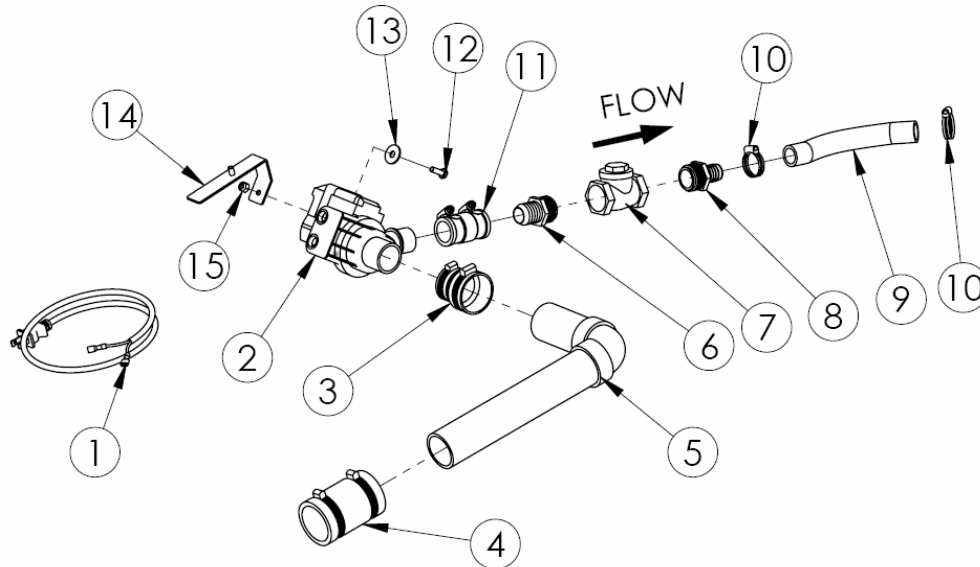
Basin Assembly



Item No.	Part No.	Description	Qty.
1	15040012	Trim Lock Chrome	1
2	300102XX (00 – 10)	Basin Pipe Free < Pearl or Platinum >	1
3	30150001	Subasm Shower Sprayer	1
4	25132100	Faucet Cartridge Rinato	1
5	25022014	Escutcheon Sprayer	1
6	30152002	Subasm Footrest Asm	2
7	25152016	Bushing Footrest Platino II	2
8	01030001	Decal - "Do Not Stand In Basin"	1
9	03130012	Washer Air Bleed	2
10	14130006	Washer Lock Split 3/8 SS	2
11	06130070	Screw #10-32x ½ FH Phil	2

Item No.	Part No.	Description	Qty.
12	25132004	Bolt Hex Head M8-125 X 20mm SS	2
13	02020000	Washer #10 Split Lock	4
14	25132014	Nut M5X0.8 SS HEX PL	4
15	25002000	Gasket Bushing Plate Neoprene	2
16	12000216	I-Glide Bushing Leg	2
17	15000006	Gasket Drain Assemble	3
18	25022003	Bushing Support Plate -RIGHT	1
19	25022002	Bushing Support Plate -LEFT	1
20	30020209	Stop Footrest Rinato	2
21	25022001	Footrest Mount Plate	1
22	30020200	Cap ¼ NPT Thread	1

POWER DRAIN PUMP ASSEMBLY

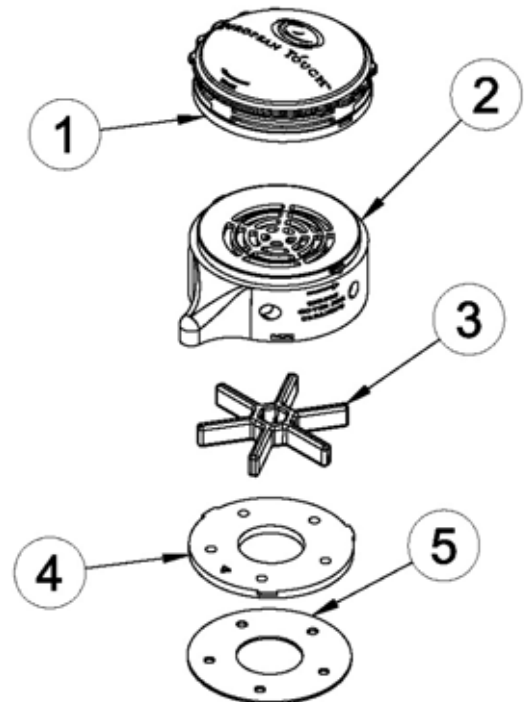


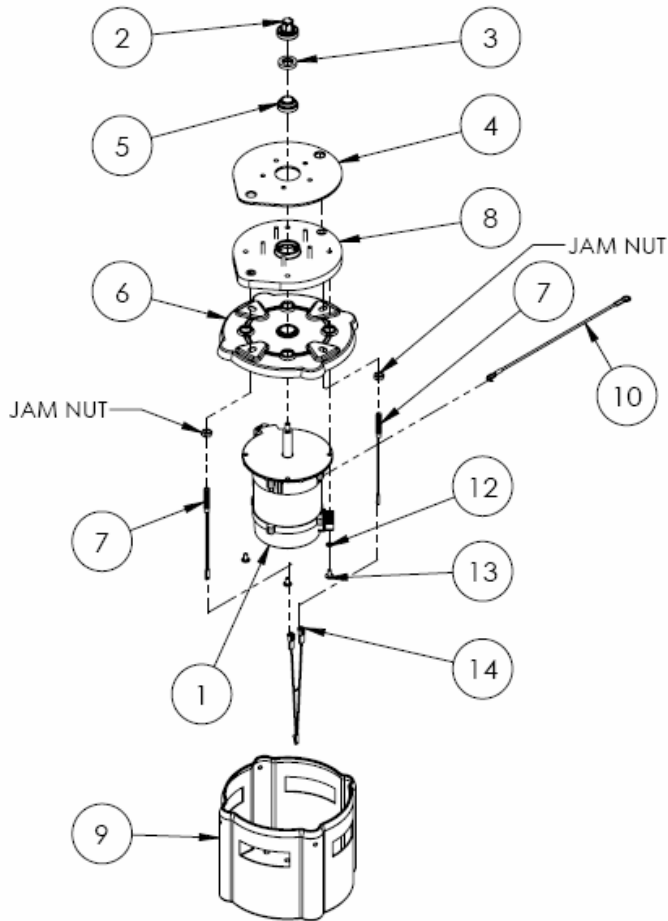
Item No.	Part No.	Description	Qty.
1	14040477	CORD POWER DRAIN PUMP	1
2	08040005	PUMP PDP 110V DPO 40	1
3	12010235	CONNECTOR 1.5IN X 1.25IN	1
4	30010218	COUPLER 1.5" TO 1.5" W/CLAMPS	1
5	30010217	DRAIN WASTE EXTENSION	1
6	25132008	ADAPTER 1 IN TUBE TO 1 IN PIPE	1
7	25132006	CHECK VALVE 1IN FNPT	1
8	25132007	ADAPTER 3/4 IN TO 1 IN	1

Item No.	Part No.	Description	Qty.
9	12010177	3/4 CLEAR BRAIDED HOSE	1
10	12130091	#10 HOSE CLAMP	2
11	14010113	COUPLER 1" IN	1
12	12130041	BOLT 1/4-20 X 3/4 HEX	1
13	25132005	WASHER M8	1
14	30020103	BRACKET PDP SHORT	1
15	12130048	NUT 1/4-20 NYLON CAP LOCK	1

INLET COVER & RELATED PARTS

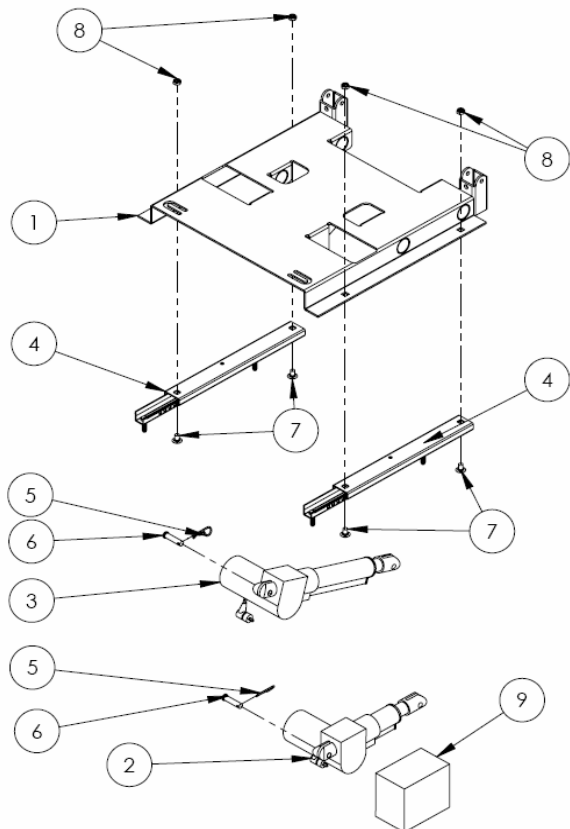
Item No.	Part No.	Description	Qty.
1	300102XX (07, 14)	Cover Inlet Housing < Pearl or Platinum >	1
2	300102XX (40, 41)	Housing Inlet Asm < Platinum or Pearl >	1
3	30010203	Impeller CT	1
4	30010030	Plate Mounting CT	1
5	30010208	Gasket Inlet Housing CT	1





MOTOR ASSEMBLY

Item No.	Part No.	Description	Qty.
1	30040200	Motor Hanning Fanless	1
2	30010202	Shaft Impeller	1
3	14000000	Seal Top Pipe Free	1
4	30010209	Gasket Motor Face Plate	1
5	14000001	Seal Bottom Pipe Free	1
6	30010206	Shield Drip NG	1
7	14040265	Sensor Footplate Detection	2
8	30010204	Faceplate Mounting	1
9	30010226	Shroud Motor	1
10	30041400	Wire Ground Yellow-Green	1
11	12010584	Cable Ties (not shown)	4
12	02020000	Washer #10 Split Lock	4
13	12130003	Screw #10-32x .50 PH	4
14	30040403	Cable Double Harness Sensor	1

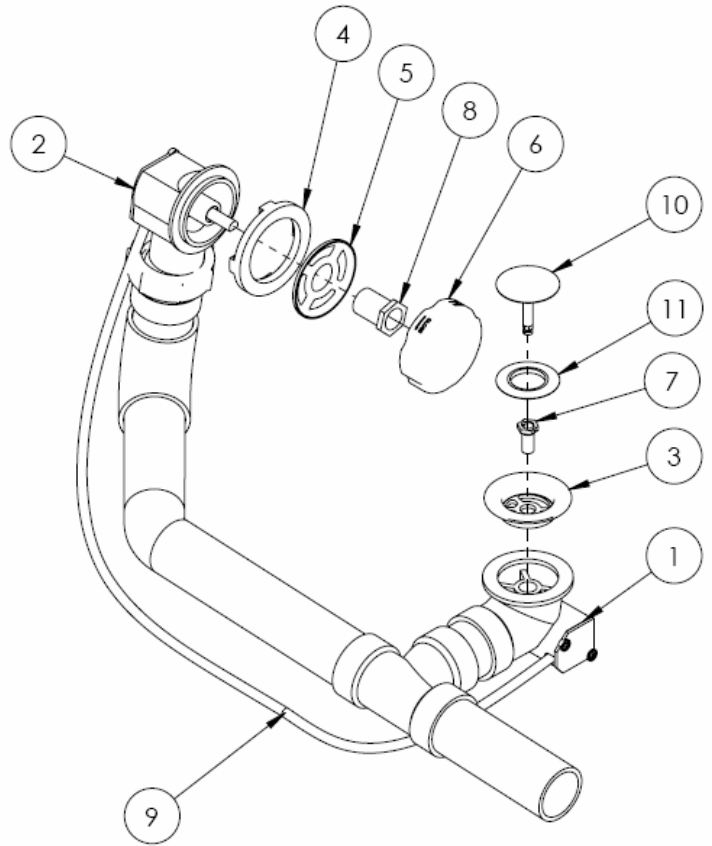


SEAT MOVEMENT

ITEM NO.	PART NO.	DESCRIPTION	QTY.
1	25022007	Seat Track	1
2	15040405	Linear Drive 50mm Back	1
3	15040414	Linear Drive 140mm Seat	1
4	03130031	Seat Rail Without Latch	2
5	06130009	Hitch Pin	2
6	06130008	Clevis Pin 1-1/2in X 3/8in Dia	2
7	03130043	Bolt Carr 5/16 X 1/2	4
8	01130005	Nut Lock 5/16-18	4
9	15040409	Control Box Seat Movement	1

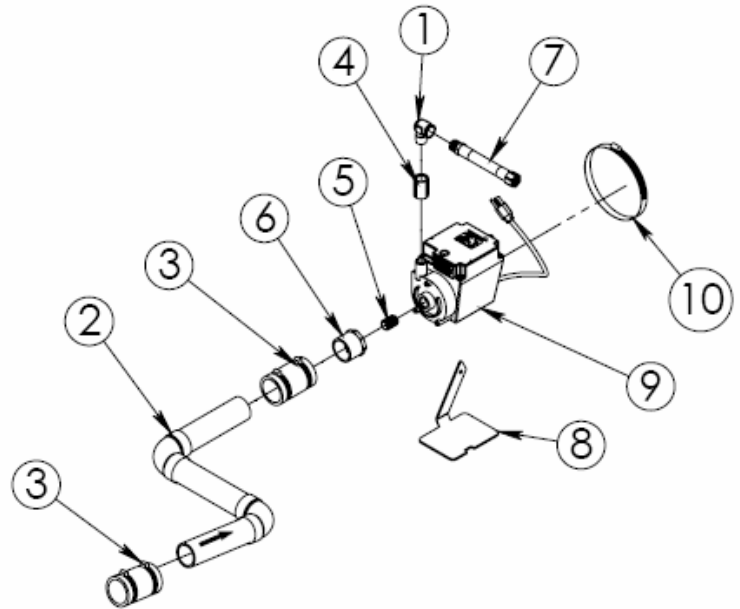
DRAIN ASSEMBLY

Item No.	Part No.	Description	Qty.
1	30010225	SHOE WASTE	1
2	30010222	OVERFLOW ASM	1
3	30020202	STRAINER DRAIN	1
4	30010224	TUB LOCK GASKET	1
5	30020203	LOCKING PLATE OVERFLOW	1
6	30020205	HANDLE CONTROL	1
7	30020201	THREADED WASTE BOLT	1
8	30020204	NIPPLE INTERNAL THREAD	1
9	30020206	CABLE DRAIN	1
10	30020208	STOPPER (CHROME)	1
11	30010227	GASKET STOPPER RINATO	1



HIGH CAPACITY PUMP ASSEMBLY

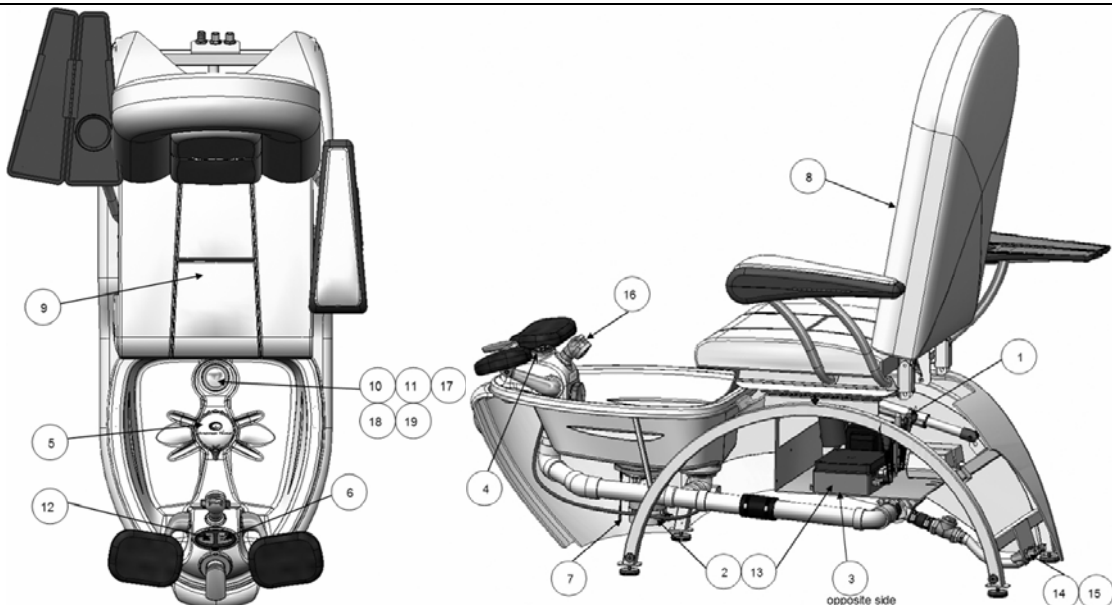
Item No.	Part No.	Description	Qty.
1	12020192	1/2 FPT X 1/2 MPT 90 ELBOW	1
2	30010223	DRAIN WAST EXTENSION FOR HC PDP	1
3	30010218	COUPLER 1.5" TO 1.5" WITH CLAMPS	2
4	06010024	SCS 1/2 X 1/2 FPT COUPLER	1
5	08010004	NIPPLE PVC FTG PDP	1
6	15130028	BUSHING REDUCING 1 1/4 IN X 1/2 IN	1
7	15130022	HOSE 48 IN RUBBER PLATINO	1
8	30020104	BRACKET HIGH CAPACITY PUMP	1
9	08040001	PUMP PDP 110V	1
10	15130029	CLAMP TUBE 6 1/2 IN	1



GENERAL TROUBLE SHOOTING GUIDE

Problem	Description	Resolution	Reference
No Water Movement	On/Off Button Not Blinking	1) Verify unit is plugged in to live wall outlet.	(1)
		2) Verify motor is plugged in to gray control box.	(2)
		3) Verify fuse in the gray control box is in tact.	(3)
		4) Verify the wires to the button are not cut.	(4)
	Impeller not in place	5) Remove clean touch assembly and verify the impeller is in place.	(5)
		6) Ensure that the clean touch assembly is properly attached to the basin.	(6)
	On/Off Blinking Power Button	7) Ensure that the black sensor underneath the front of the basin is plugged in.	(7)
Chair Functions are not working	1. Seat Back a. Roller Massage does not move up and down. b. Seat Back –Vibration feature not working.	8) If the remote does not light up when pressed to operate seat functions, verify that remote is plugged in.	(8)
	2. Seat Cushion – Heat portion of the seat not working.	9) If the remote lights up, but functions do not work, contact European Touch Customer Service.	(9)
Water Not Draining	Chair does not drain properly having only the standard drain, (No PDP).	10) Make sure plunger is set tall enough to allow water to pass through.	(10)
	Chair does not drain properly having a PDP.	11) Check for plugged drain and clear if clog is found.	(11)
		12) If the LED light is On and the pump is heard, check for plugged drain and clear if clog is found.	(12)
		13) If the LED light is On and the pump is NOT heard, verify drain pump is properly connected to the black control box.	(13)
Water not working or pressure is low	The water sprayer is not working or very little water comes out of the sprayer head	14) Verify water supply is On.	(14)
		15) Check for loose water connections under the basin and at the rear of the chair.	(15)
		16) Unscrew the sprayer head from its hose and verify screen is clear.	(16)
Basin Losing Water	The basin continually loses water either quickly or over long period of time	17) Check drain plunger for tears in rubber gasket.	(17)
		18) Verify drain plunger height is correct and bolt below plunger is tight.	(18)
		19) Verify drain strainer is tight.	(19)

CONTACT EUROPEAN TOUCH TECHNICAL SUPPORT AT 1-800-626-6912 WITH ANY ISSUES THAT CANNOT BE RESOLVED USING THIS TROUBLESHOOTING GUIDE.





EUROPEAN TOUCH™

**EUROPEAN TOUCH
8301 W. Parkland Court
Milwaukee, WI 53223**

**Phone Number: 414-357-7016
Toll Free: 800-626-6912
Fax: 414-357-6360**

**Web Site: www.europeantouch.com
Email: info@europeantouch.com**