



**EUROPEAN TOUCH™**  
*The World's Finest Pedicure Spas*

# RINATO XL SPA

# SERVICE MANUAL

## TABLE OF CONTENTS

IMPORTANT SAFETY INSTRUCTIONS.....	3
WARNINGS .....	3
DANGER.....	3
IMPORTANT REQUIREMENTS .....	4
LOCATION AND SUPPORT .....	4
LOCATION DIMENSIONS .....	5
ATTACHING THE SEAT BACK AND SEAT BOTTOM CUSHION .....	6
SEAT BACK ATTACHMENT.....	6
INSTALLING THE FLOOR MOUNTING BRACKETS .....	7
REMOVING THE SIDE SHELLS .....	9
REMOVING AND REPLACING DRAIN KNOB.....	10
DISASSEMBLING AND REMOVING CLEAN TOUCH COMPONENTS.....	11
WIRED SOUND OPTION – HARD WIRED FOR SOUND .....	12
WIRED SOUND OPTION – EQUIPPED WITH SPEAKERS IN NECK PILLOW .....	12
REPLACEMENT PARTS.....	13
FULL ASSEMBLY.....	14
BASIN ASSEMBLY.....	15
POWER DRAIN PUMP ASSEMBLY.....	16
INLET COVER AND RELATED PARTS.....	16
MOTOR ASSEMBLY .....	17
SEAT MOVEMENT .....	17
DRAIN ASSEMBLY .....	18
HIGH CAPACITY PUMP ASSEMBLY .....	18
GENERAL TROUBLESHOOTING GUIDE .....	19



---

## IMPORTANT SAFETY INSTRUCTIONS

---

When using an electrical appliance, basic precautions should always be followed, including the following:  
Read all instructions before using this appliance.

---

### **WARNINGS – To reduce the risk of burns, fire, electric shock, or injury to persons...**

---

- Use this appliance only for its intended use. Do not use attachments not recommended by the manufacturer.
- Never operate this appliance if it has a damaged cord or plug, if it is not working properly, if it has been dropped or damaged, or dropped into water.
- Never drop or insert any object into any opening.
- Do not use outdoors.
- Do not operate where aerosol (spray) products are being used or where oxygen is being administered.
- Excessive water temperature is dangerous and should be checked before use. Maximum operating water temperature should not exceed 105° F (41° C) and the maximum supply water temperature should not exceed 150° F (65° C).
- Always enter and exit the pedicure spa slowly and carefully.
- Never bring or operate any electrical devices into or near the pedicure spa.
- This pedicure spa has a weight capacity of 350 pounds.
- Do Not Crush – Avoid sharp folds.
- Do not stand on or in appliance.
- Use only while seated.
- Keep children away from extended foot support.
- Connect this appliance to a properly grounded outlet only. See Grounding Instructions within the install manual.

---

### **DANGER**

---

- Never use pins or other metallic fasteners with this appliance.
- Carefully examine the covering before each use.
- Discard the appliance if the covering shows any sign of deterioration, such as checking, blistering, or cracking.
- Keep electrical components dry – Do not operate in a wet or moist environment.

---

**Note:** *Always verify maximum water temperatures with your local & state codes.*

---

---

## SAVE THESE INSTRUCTIONS

---

## IMPORTANT REQUIREMENTS

EUROPEAN TOUCH requires that you contact a local, licensed plumber and licensed electrician to install your new pedicure spa. Installation must be in compliance with all your local and state building codes. Your pedicure spa cannot operate efficiently or safely unless it is provided with adequate electrical power, sufficient water pressure, proper water temperature, and required drainage capabilities. Contact your local building inspector for information and local code compliance procedures that need to be followed when having your pedicure spa installed. Subsequent inspections and approvals that may be required are the responsibility of the purchaser. (See **limited warranty regarding incidental or consequential exclusions** – page 2).

*Note: Failure to comply with federal, state or local codes and ordinances will result in warranty being null and void.*

**WARNING: Shells & front plate MUST be removed prior to moving the Rinato XL Spa.**



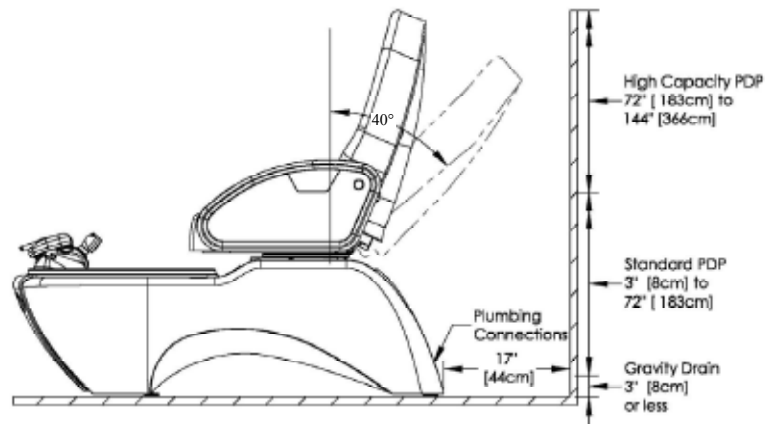
Spa shipping configuration.



Spa appearance prior to moving into place.

## LOCATION AND SUPPORT

Select a level location. The floor structure beneath the pedicure spa must be capable of supporting the occupied pedicure spa. For the seat back to fully recline, the pedicure spa base must be mounted 17 inches from the wall as shown:



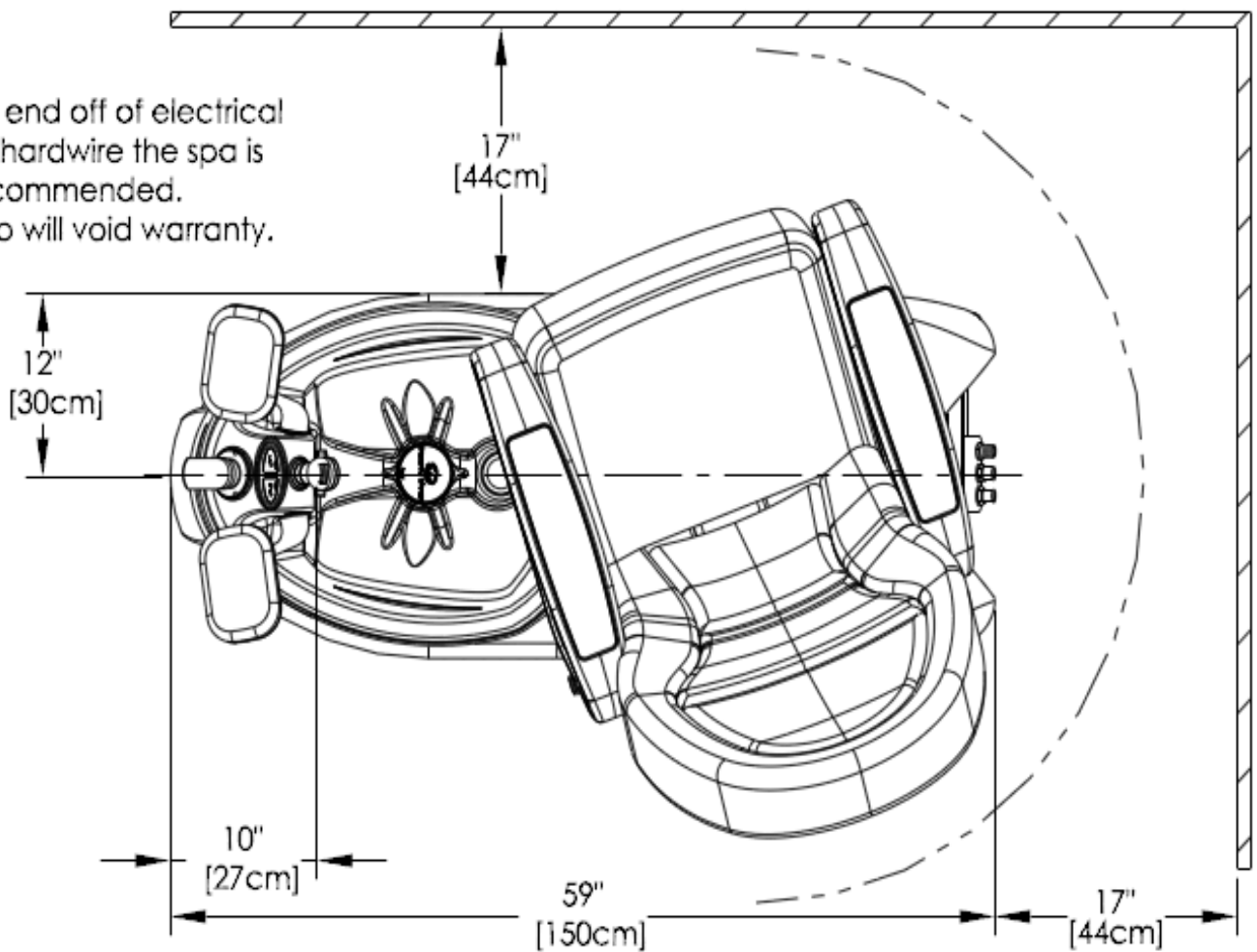


# EUROPEAN TOUCH™

The World's Finest Pedicure Spas

## LOCATION DIMENSIONS

NOTE:  
Cutting end off of electrical  
plug to hardwire the spa is  
NOT recommended.  
Doing so will void warranty.



## ATTACHING THE SEAT BACK CUSHION

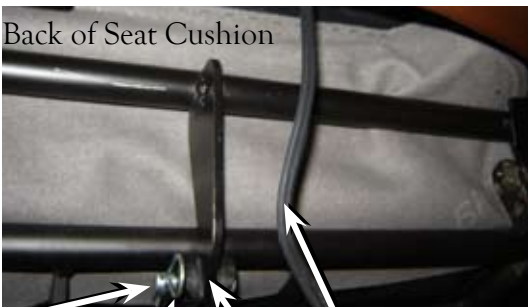


1. Place Cushion in place in front of frame bracket and align holes of the cushion frame and the seat frame.



2. Screw the Shoulder Bolts (2) into the side of the frame into the frame of the seat until tight. Do not over-tighten.

Shoulder Screws



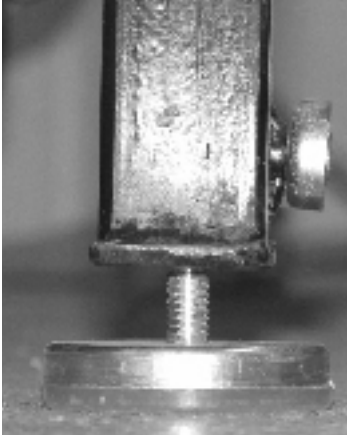
3. Install the Clevis Pin through the hole in the Actuator Motor Arm and Clip as shown at left.

Back of Seat Cushion  
 Clevis Pin  
 Hitch Pin  
 Cushion Cord  
 Actuator & Clip

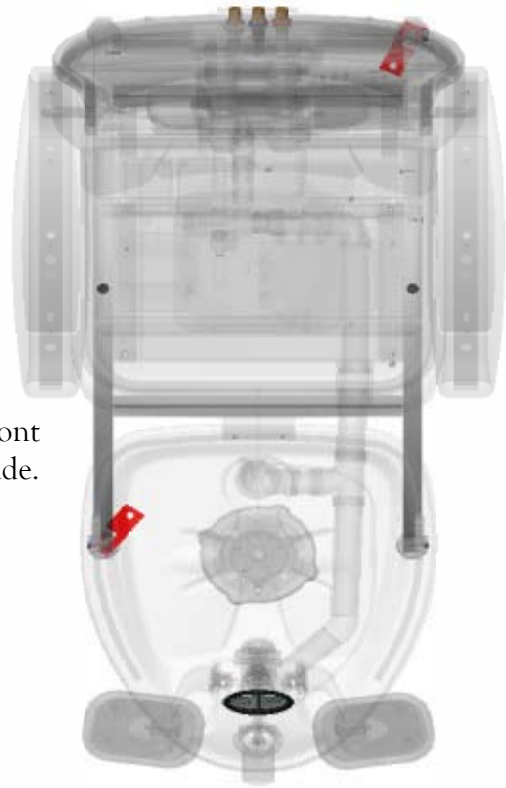
4. Ensure that Remote Cords are not pinched between cushion and frame bracket. Ensure the Hitch Pin does not hit nut when chair is rotated.

## INSTALLING THE FLOOR MOUNTING BRACKETS

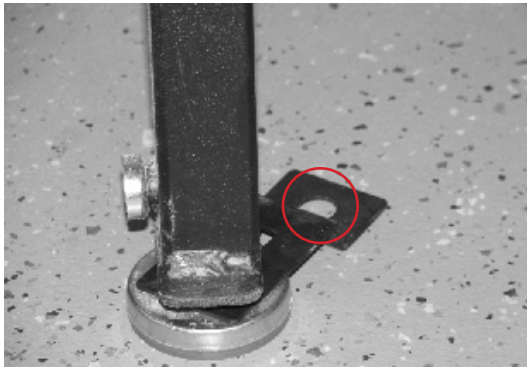
All Rinato XL Spas installed with gravity drain and/or hard piped to hot and cold supply lines **MUST** be anchored to the floor.



1. Adjust all 4 leveling feet until unit is stable and level.



2. Place the floor mounting brackets on one of the front feet and on the rear foot of the opposite side.



3. Mark and drill hole in floor for each bracket and install 3/8" floor anchor in each hole.

***Note: Moving spa with flexible hose connected may cause strain and cause leaks.***

## REMOVING THE SIDE SHELLS



1. Remove the front plate from the front of the spa.



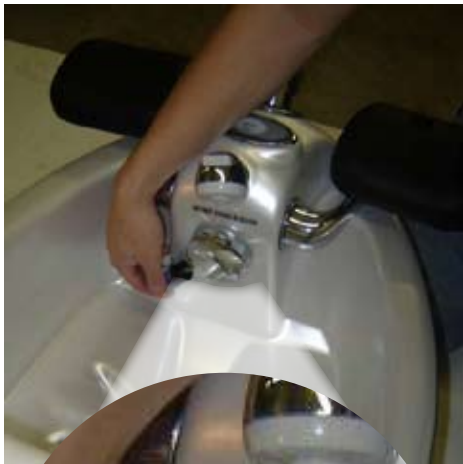
2. Remove each thumbscrew (located on each side, under the seat bottom.)



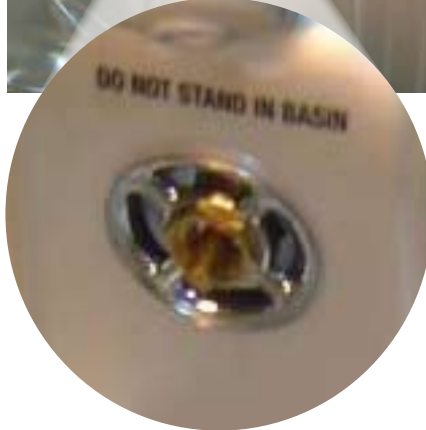
3. Slightly lift side panels off spa frame.

## REMOVING AND REPLACING DRAIN KNOB

Check your state and local regulations for cleaning procedures. Links to your state boards can be found on our web site, at [www.europeantouch.com](http://www.europeantouch.com). Refer to the Owner's Manual "Cleaning and Disinfecting Pedicure Equipment" (page 16) for cleaning recommendations.



To remove the chrome drain handle, loosen the set screw in the slot on the drain handle and slip off chrome handle from chrome handle post.



Drain handle removed.



Drain plunger removed.

## DISASSEMBLING AND REMOVING CLEAN TOUCH COMPONENTS

Check your state and local regulations for cleaning procedures. Links to your state boards can be found on our web site, at [www.europeantouch.com](http://www.europeantouch.com). Refer to the Owner's Manual "Clean Touch™ Pipe-Free® Spa - Cleaning and Disinfecting Procedures," for cleaning recommendations.



1. Remove the Clean Touch Assembly by turning it clockwise.  
(Note: front "nose" (highlighted in blue) may be used as leverage as needed.)



2. Separate Clean Touch inlet cover from base by twisting counter-clockwise.



3. Remove the impeller by lifting from the basin.



4. To reassemble, follow instructions in reverse order.



# EUROPEAN TOUCH™

The World's Finest Pedicure Spas

## WIRED SOUND OPTION – HARD WIRED FOR SOUND

1/8" (3.5mm) Headphone Jack  
***Plug in Headphones or Portable Speakers***

Plug Audio/Visual Device into Spa using provided cord.

When not in use, stow away the end of the headphone plug cable in the Massage Remote pocket.



## WIRED SOUND OPTION - EQUIPPED WITH SPEAKERS IN NECK PILLOW

Plug Audio/Visual Device into Spa using provided 1/8" (3.5mm) cord.

Audio heard from speakers located in neck pillow

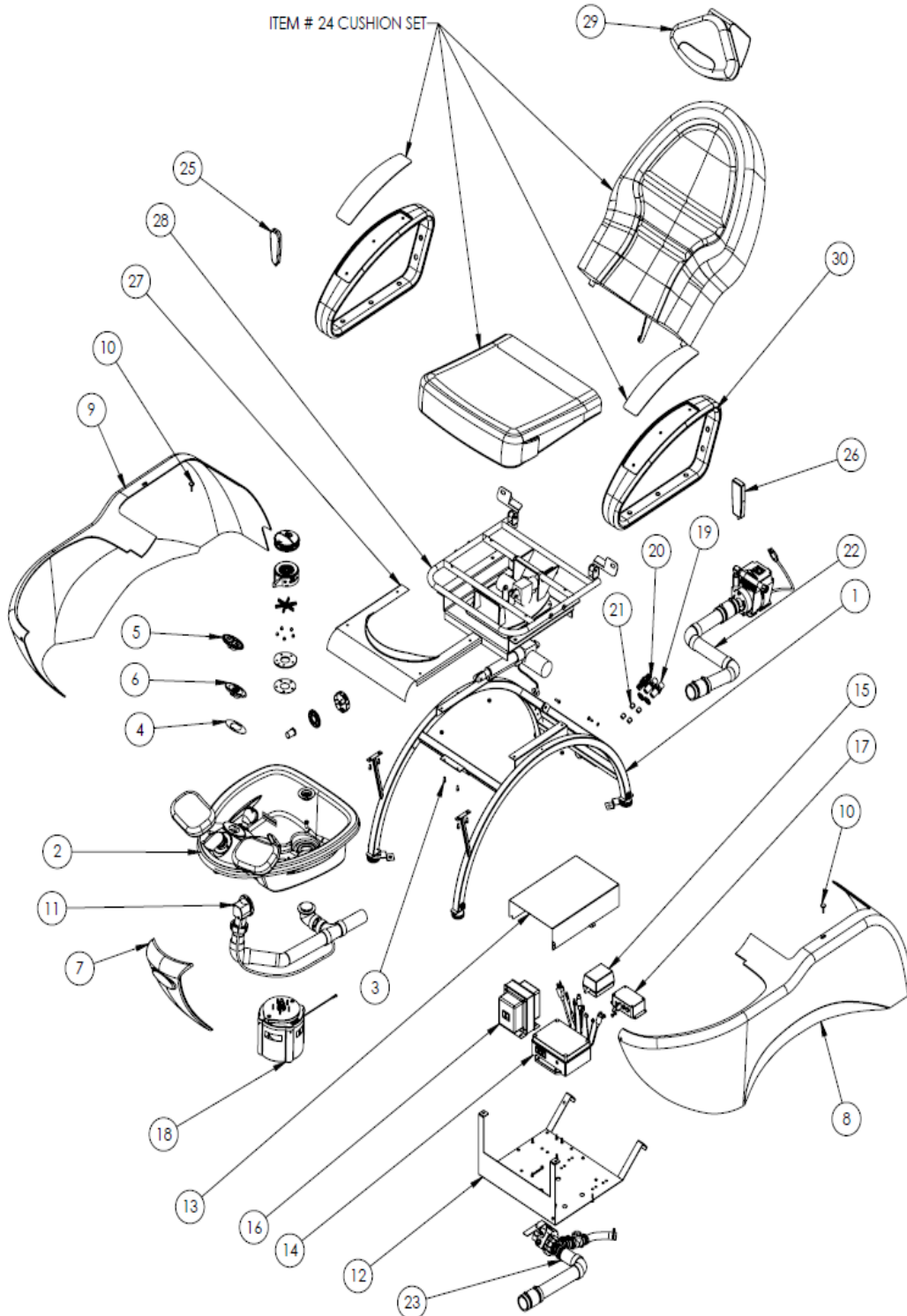




# EUROPEAN TOUCH™

The World's Finest Pedicure Spas

## REPLACEMENT PARTS



## FULL ASSEMBLY

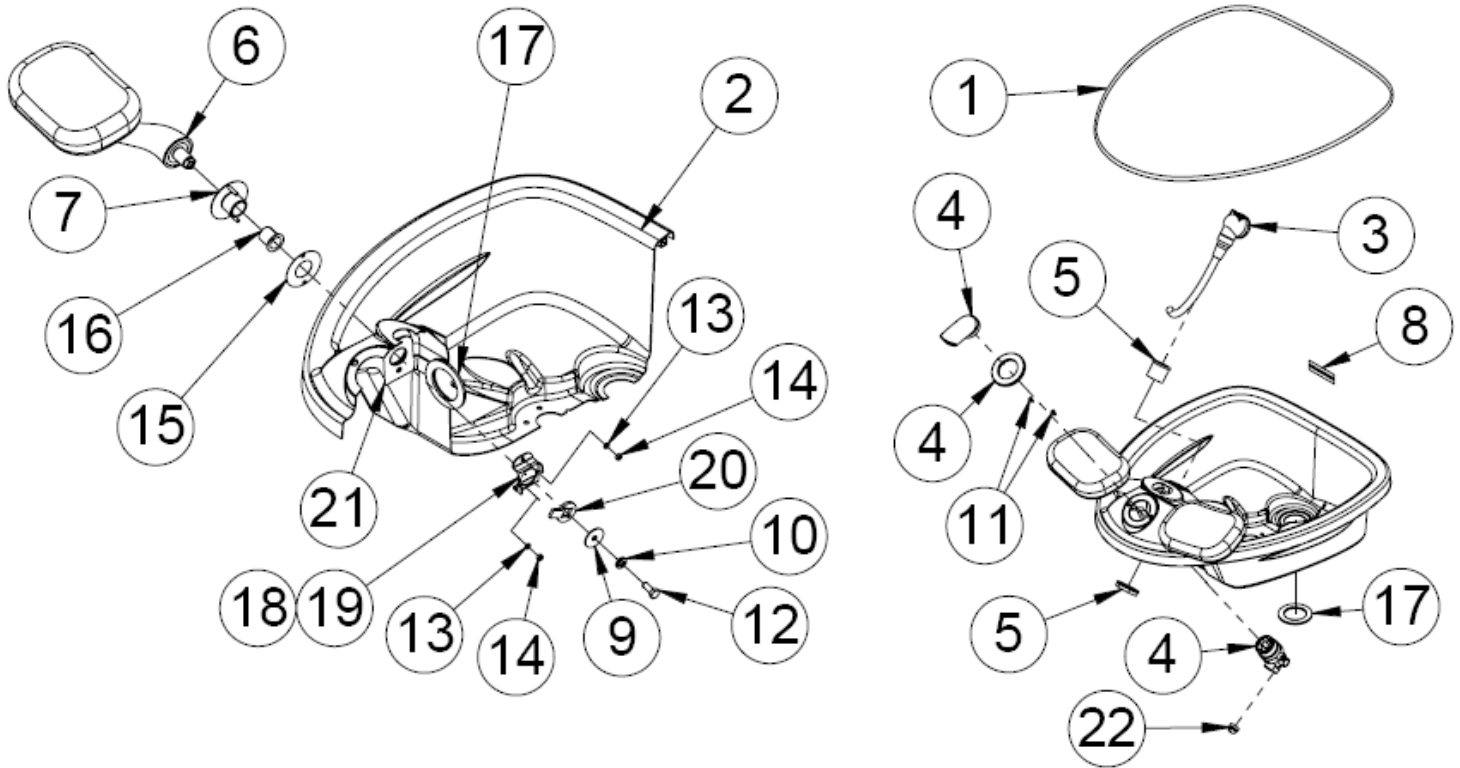
Item No.	Part No.	Description	Qty.
1	30022100	Frame Base NG	1
2	30152000	Subasm Basin Platinum	1
3	15130027	Screw 1/4-20 x 1/2 Socket Head Cap	6
4	30010221	Gasket Button Switch	1
5	30042000	Two Button Switch	1
6	30042001	Switch Membrane One Position ON/OFF CT	1
7	2501230X (1&3)	Plate Front Platino II	1
8	3001320X (3-6)	Panel Body Left Rinato	1
9	3001310X (3-6)	Panel Body Right Rinato	1
10	15130009	Screw Thumb 1/4-20 x 3/4	2
11	30151200	Drain Kit Assembly Hard Plumb	1
12	30020100	Belly Pan	1
13	30020102	Cover Splash	1
14	30040400	Control Box	1
15	15040003	Transformer Roller Massage Platino 21V Output	1
16	06040220	Transformer Step Down	1
17	14040422	Control Box Drain Pump Pipefree SCS	1
18	30152015	Subasm Hanning Motor Next Generation	1
19	15130000	Bulkhead fitting for check valve	2
20	25132013	Bulkhead fitting 3/4in Thread 3/4in Barb	1
21	15130016	Check Valve	4
22	30152009	Subasm PDP HC Rinato CT	1
23	30152004	PDP Assembly	1
24	3316130(0-4)(9)	Cushion Set Rinato XL	1
25	12040000	Remote Control Wand Murano	1
26	15040400	Remote Control Seat Movement JG	1
27	33010021	Shroud Seat Cover XL	1
28	33150000	Frame ASM Seat XL	1
29	3015263 (0)(3-6)(9)	Subasm Headrest Rinato XL Speaker	1
30	33010020	Arm Rest Assembly XL	2



# EUROPEAN TOUCH™

The World's Finest Pedicure Spas

## BASIN ASSEMBLY



Item No.	Part No.	Description	Qty.
1	15040012	Trim Lock Chrome	1
2	300102XX (00-10)	Basin Pipe Free <Pearl or Platinum>	1
3	30150001	Subasm Shower Sprayer	1
4	25132100	Faucet Cartridge Rinato	1
5	25022014	Escutcheon Sprayer	1
6	30152002	Subasm Footrest Asm	2
7	25152016	Bushing Footrest Platino II	2
8	01030001	Decal - "Do Not Stand In Basin"	1
9	03130012	Washer Air Bleed	2
10	14130006	Washer Lock Split 3/8 SS	2
11	06130070	Screw #10-32x 1/2 FH Phil	2

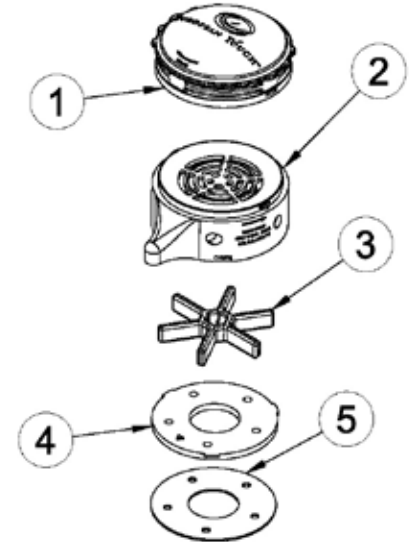
Item No.	Part No.	Description	Qty.
12	25132004	Bolt Hex Head M8-125 X 20mm SS	2
13	02020000	Washer #10 Split Lock	4
14	25132014	Nut M5X0.8 SS HEX PL	4
15	25002000	Gasket Bushing Plate Neoprene	2
16	12000216	I-Glide Bushing Leg	2
17	15000006	Gasket Drain Assemble	3
18	25022003	Bushing Support Plate -RIGHT	1
19	25022002	Bushing Support Plate -LEFT	1
20	30020209	Stop Footrest Rinato	2
21	25022001	Footrest Mount Plate	1
22	30020200	Cap 1/4 NPT Thread	1



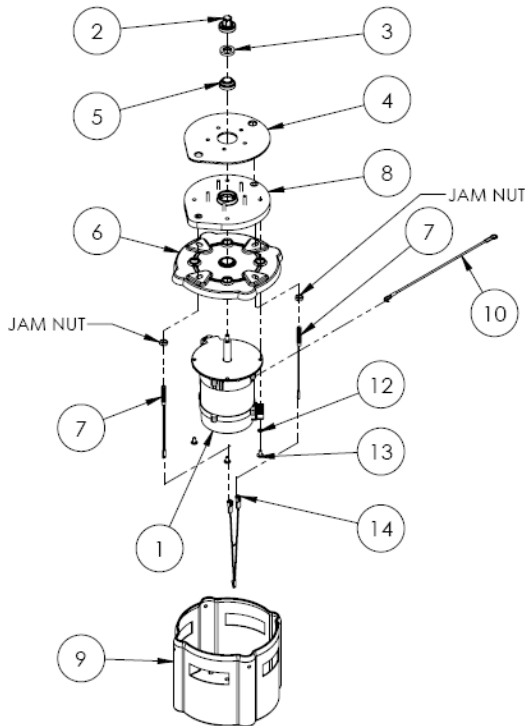
**EUROPEAN TOUCH™**  
The World's Finest Pedicure Spas

**INLET COVER AND RELATED PARTS**

Item No.	Part No.	Description	Qty.
1	300102XX (07, 14)	Cover Inlet Housing <Pearl or Platinum>	1
2	300102XX (40, 41)	Housing Inlet Asm <Platinum or Pearl>	1
3	30010203	Impeller CT	1
4	30010030	Plate Mounting CT	1
5	30010208	Gasket Inlet Housing CT	1

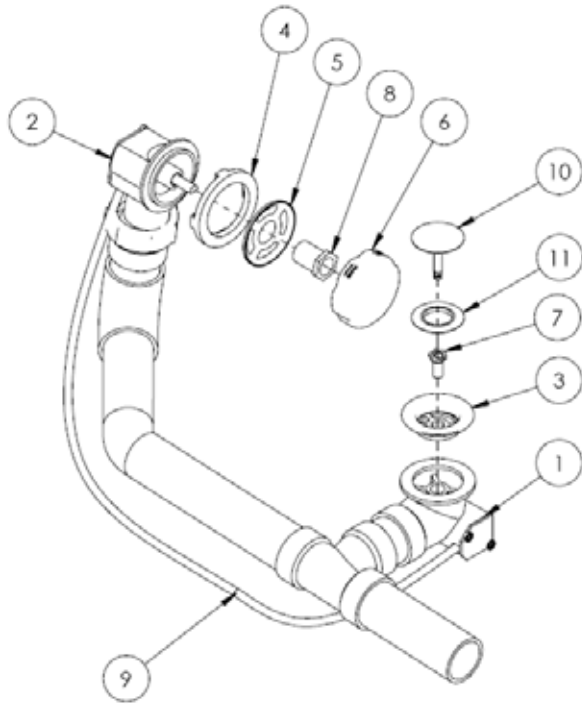


**MOTOR ASSEMBLY**



Item No.	Part No.	Description	Qty.
1	30040200	Motor Hanning Fanless	1
2	30010202	Shaft Impeller	1
3	14000000	Seal Top Pipe Free	1
4	30010209	Gasket Motor Face Plate	1
5	14000001	Seal Bottom Pipe Free	1
6	30010206	Shield Drip NG	1
7	14040265	Sensor Footplate Detection	2
8	30010204	Faceplate Mounting	1
9	30010226	Shroud Motor	1
10	30041400	Wire Ground Yellow-Green	1
11	12010584	Cable Ties (not shown)	4
12	02020000	Washer #10 Split Lock	4
13	12130003	Screw #10-32x .50 PH	4
14	30040403	Cable Double Harness Sensor	1

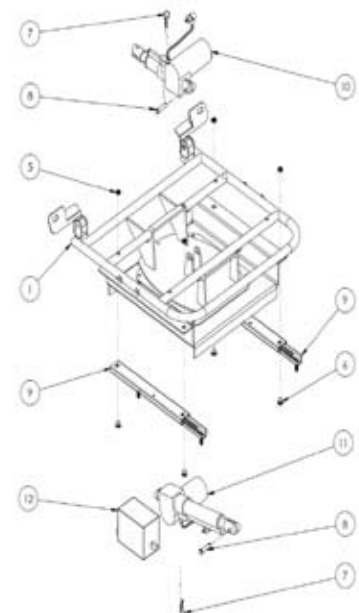
## DRAIN ASSEMBLY



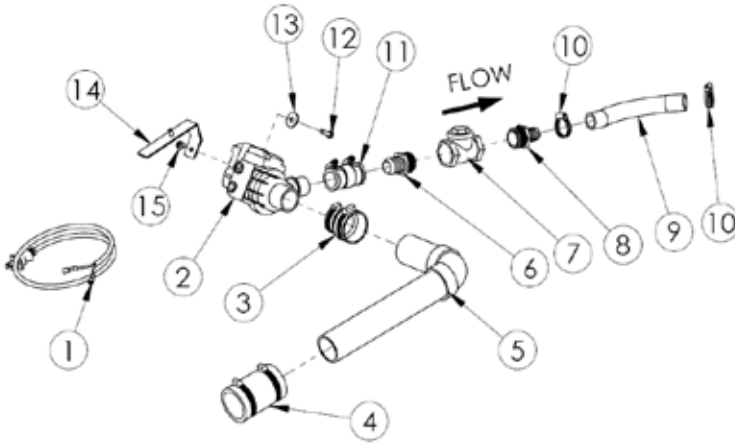
Item No.	Part No.	Description	Qty.
1	30010225	Shoe Waste	1
2	30010222	Overflow ASM	1
3	30020202	Strainer Drain	1
4	30010224	Tub Lock Gasket	1
5	30020203	Locking Plate Overflow	1
6	30020205	Handle Control	1
7	30020201	Threaded Waste Bolt	1
8	30020204	Nipple Internal Thread	1
9	30020206	Cable Drain	1
10	30020208	Stopper (Chrome)	1
11	30010227	Gasket Stopper Rinato	1

## SEAT MOVEMENT

Item No.	Part No.	Description	Qty.
1	33020002	Frame Seat Lower XL	1
2	33020301	Plate Seat Mount XL	1
3	33021300	Swivel XL	3
4	33020300	Plate Seat XL	1
5	01130005	Nut Lock Thin 5/16-18	4
6	03130043	Bolt Carr 5/16 x 1/2	4
7	06130009	Hitch Pin	2
8	06130008	Clevis Pin 1-1/2 in x 3/8 in diameter	2
9	03130031	Seat Rail without latch	2
10	15040405	Linear Drive 50MM back	1
11	15040405	Linear Drive 140MM seat	1
12	15040409	Control box seat movement	1



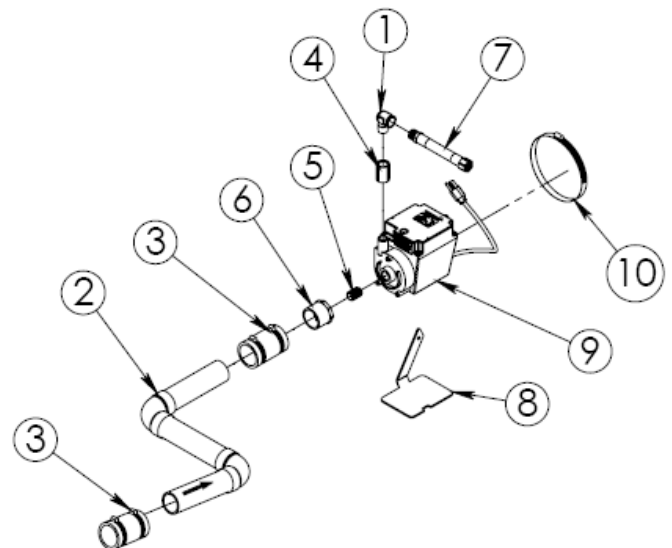
## POWER DRAIN PUMP ASSEMBLY



Item No.	Part No.	Description	Qty.
1	14040477	Cord Power Drain Pump	1
2	08040005	Pump PDP 110V DPO 40	1
3	12010235	Connector 1.5IN x 1.25IN	1
4	30010218	Coupler 1.5" To 1.5" W/Clamps	1
5	30010217	Drain Waste Extension	1
6	25132008	Adapter 1in Tube to 1in Pipe	1
7	25132006	Check Valve 1IN FNPT	1
8	25132007	Adapter 3/4in To 1in	1
9	12010177	3/4 Clean Braided Hose	1
10	12130091	#10 Hose Clamp	2
11	14010113	Coupler 1" IN	1
12	12130041	Bolt 1/4-20 x 3/4 hex	1
13	25132005	Washer M8	1
14	30020103	Bracket PDP Short	1
15	12130048	Nut 1/4-20 Nylon Cap Lock	1

## HIGH CAPACITY PUMP ASSEMBLY

Item No.	Part No.	Description	Qty.
1	12020192	1/2 FPT X 1/2 MPT 90 Elbow	1
2	30010223	Drain Waste Extenstino for HC PDP	1
3	30010218	Coupler 1.5" To 1.5" with Clamps	2
4	06010024	SCS 1/2 X 1/2 FPT Coupler	1
5	08010004	Nipple PVD FTG PDP	1
6	15130028	Bushing Reducing 1 1/4 IN X 1/2 IN	1
7	15130022	Hose 48 In Rubber Platino	1
8	30020104	Bracker High Capacity Pump	1
9	08040001	Pump PDP 110V	1
10	15130029	Clamp Tube 6 1/2in	1



## GENERAL TROUBLESHOOTING GUIDE

Problem	Description	Resolution	Reference
<b>No Water Movement</b>	On/Off Button Not Blinking	1) Verify unit is plugged in to live wall outlet.	(1)
		2) Verify motor is plugged in to gray control box.	(2)
	Impeller not in place	3) Verify fuse in the gray control box is in tact.	(3)
		4) Verify the wires to the button are not cut.	(4)
	On/Off Blinking Power Button	5) Remove clean touch assembly and verify the impeller is in place.	(5)
		6) Ensure that the clean touch assembly is properly attached to the basin.	(6)
		7) Ensure that the black sensor underneath the front of the basin is plugged in.	(7)
<b>Chair Functions are not working</b>	1. Seat Back a. Air Massage controls not working.	8) Ensure air connections are in tact. Ensure handset is on. Ensure compressor is on.	(8) (9)
	2. Chair movement not responding.	9) If the remote lights up, but functions do not work, contact European Touch Customer Service.	
<b>Water Not Draining</b>	Chair does not drain properly having only the standard drain, (No PDP).	10) Make sure plunger is set tall enough to allow water to pass through.	(10)
	Chair does not drain properly having a PDP.	11) Check for plugged drain and clear if clog is found.	(11)
		12) If the LED light is On and the pump is heard, check for plugged drain and clear if clog is found.	(12)
		13) If the LED light is On and the pump is NOT heard, verify drain pump is properly connected to the black control box.	(13)
<b>Water not working or pressure is low</b>	The water sprayer is not working or very little water comes out of the sprayer head	14) Verify water supply is On.	(14)
		15) Check for loose water connections under the basin and at the rear of the chair.	(15)
		16) Unscrew the sprayer head from its hose and verify screen is clear.	(16)
<b>Basin Losing Water</b>	The basin continually loses water either quickly or over long period of time	17) Check drain plunger for tears in rubber gasket.	(17)
		18) Verify drain plunger height is correct and bolt below plunger is tight.	(18)
		19) Verify drain strainer is tight.	(19)

CONTACT EUROPEAN TOUCH TECHNICAL SUPPORT AT 1-800-626-6912 WITH ANY ISSUES THAT CANNOT BE RESOLVED USING THIS TROUBLESHOOTING GUIDE.





**EUROPEAN TOUCH™**  
*The World's Finest Pedicure Spas*

---

## HISTORY AND NOTES

---



---

## TECHNICAL SUPPORT

---

Thank you for purchasing European Touch pedicure spas!

With a staff of fully trained technical support representatives, we are able to answer specific questions about the mechanics of our pedicure spas before, during and after the installation process and throughout the lifetime of the product.

Our multi-lingual staff is available Monday through Friday 8:00am to 6:30pm Central Time. Please call 800.626.6912 with any questions.

European Touch  
8301 W. Parkland Court  
Milwaukee, WI 53223

t: 800.626.6912 | 414.357.7016 | f: 414.357.6360  
e: [service@europeantouch.com](mailto:service@europeantouch.com) | w: [europeantouch.com](http://europeantouch.com)